

### Features

- Brass construction.
- Wall-mount installation.
- Single-handle.
- Lever handle.
- Stationary spout.
- Less drain.
- Requires single-handle ceramic valve [K-307-K].
- Available with an 8-1/4" (210 mm) spout from wall to center of drain.
- 1.2 gal/min (4.5 l/min) maximum flow rate [max at 60 psi (4.14 bar)].

### Required Accessories

K-307-K Wall-mount Bathroom Sink Valve

### Optional Accessories

K-7114  
K-7124  
K-7127  
K-7129



ADA

### Codes/Standards

ASME A112.18.1/CSA B125.1

NSF 61

NSF 372

All applicable US Federal and State material regulations

DOE - Energy Policy Act 1992

EPA WaterSense®

California Energy Commission (CEC)

ADA

ICC/ANSI A117.1

### KOHLER® Faucet Lifetime Limited Warranty

See website for detailed warranty information.

### Available Color/Finishes

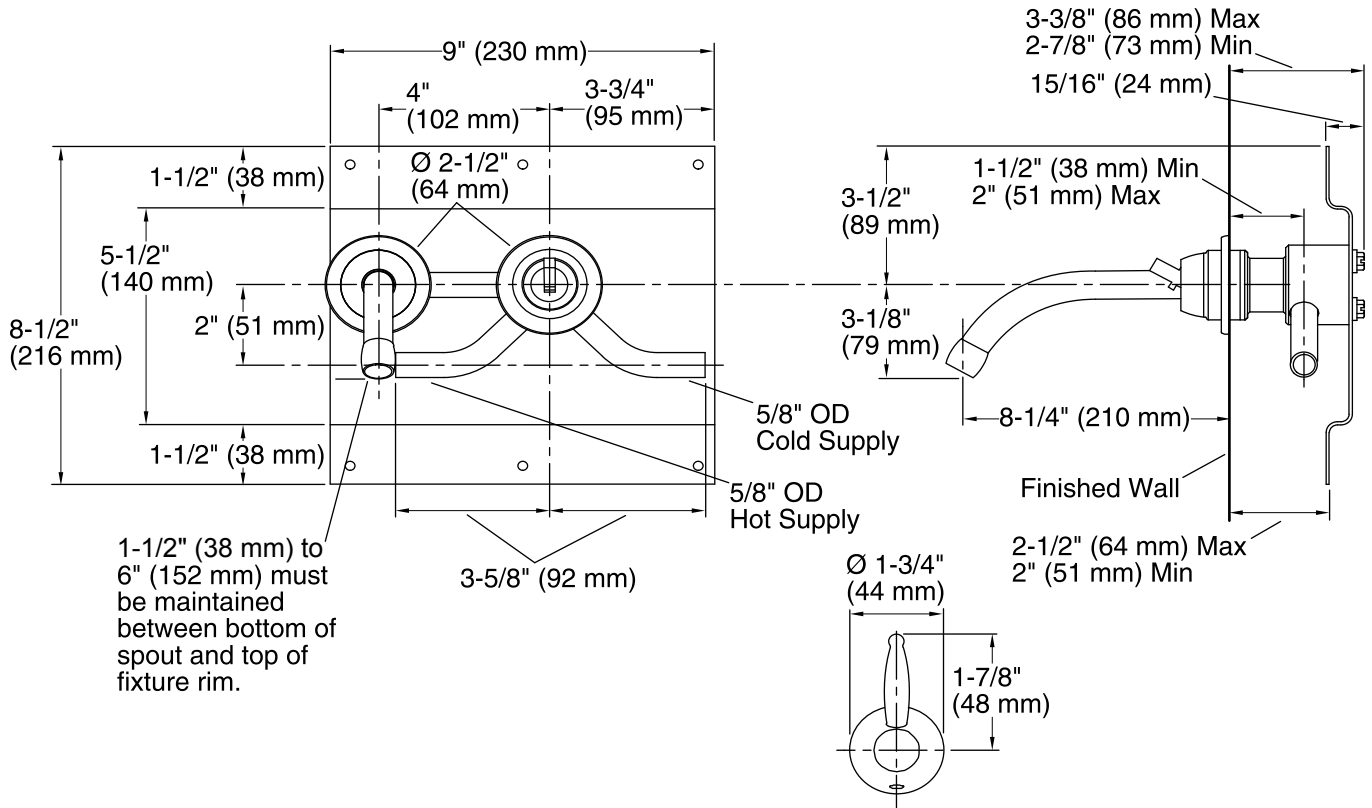
*Color tiles intended for reference only.*

Color	Code	Description
-------	------	-------------



CP	Polished Chrome
----	-----------------

BN	Vibrant® Brushed Nickel
----	-------------------------



### Technical Information

All product dimensions are nominal.

#### Spout:

Spout reach: 8-1/4" (210 mm)

#### Faucet:

Flow rate: 1.2 gal/min (4.5 l/min)

Pressure: 60 psi (4.1 bar)

### Notes

Install this product according to the installation guide.

Install the wall-mount valve according to the valve installation guide.

One 1-7/8" (48 mm) diameter cutout hole is required for the spout. One 1-7/8" (48 mm) diameter cutout hole is required for the handle.

ADA compliant when installed to the specific requirements of these regulations.