

### Features

- Lever handles.
- 35° spout.
- Include showerhead with arm and flange, non-diverter spout with NPT connection, and faceplate with handle and push-button diverter.

### Material

- Brass construction.

### Technology

- 2.0 gpm (7.6 lpm) showerhead with Katalyst™ Spray Technology.

### Required Accessories

K-11748 Series Rite-Temp® Valves

### Adapters, Rough-in and Extension Kits

1016154  
88526



### Codes/Standards

ASME A112.18.1/CSA B125.1  
ASSE 1016  
DOE - Energy Policy Act 1992  
EPA WaterSense®  
California Energy Commission (CEC)

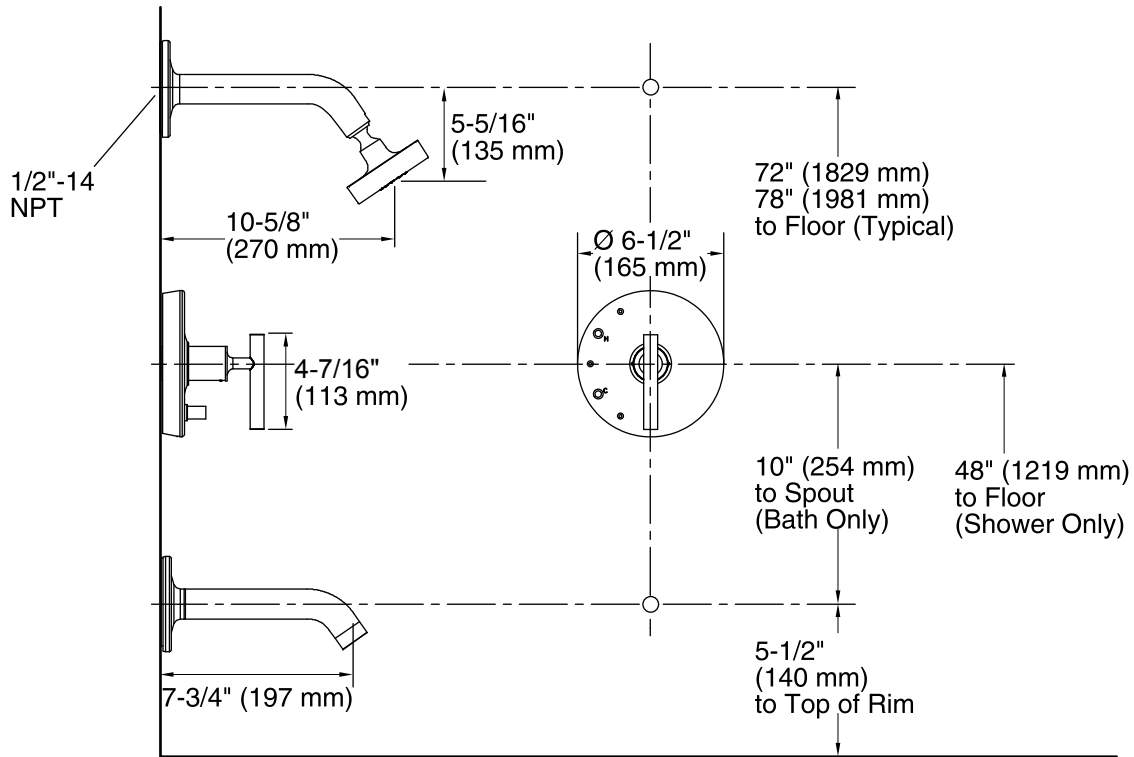
See website for detailed warranty information.

### Available Color/Finishes

*Color tiles intended for reference only.*

Color	Code	Description
-------	------	-------------

	CP	Polished Chrome
--	----	-----------------



### Technical Information

All product dimensions are nominal.

#### Showerhead:

Rated maximum flow: 2 gal/min (7.6 l/min)

Pressure: 80 psi (5.5 bar)

### Notes

Install this product according to the installation guide.

Avoid cross-flow conditions. Do not install shut-off device on either valve outlet.

Cap the shower outlet if deck-mount spout, diverter, or handshower is connected to the spout outlet.