

Features

- Brass construction
- Cross or lever handles
- Dual control wall-mounted
- 2.0 gallons (7.6 L) per minute flow rate [max at 60 psi (4.14 bar)]
- 5-5/16" (13.5 cm) spout from wall to center of outlet

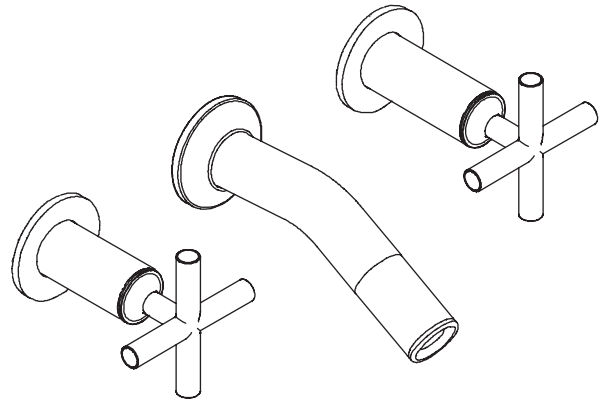
**LAMINAR WALL-MOUNT FAUCET
K-T14419**

ADA

Codes/Standards Applicable

Specified model meets or exceeds the following:

- ASME 112.18.1/CSA B125
- IAPMO/UPC
- NSF 61
- Energy Policy Act of 1992
- ADA





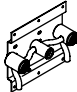
Colors/Finishes

- CP: Polished Chrome
- Other: Refer to Price Book for additional colors/finishes

Accessories

- NA: None applicable





Specified Model

Model	Description		
K-T14419-3	Laminar wall-mount faucet – cross handles (shown)	<input type="checkbox"/> CP <input type="checkbox"/> Other ____	
K-T14419-4	Laminar wall-mount faucet – lever handles		<input type="checkbox"/> CP <input type="checkbox"/> Other ____
Required Accessory			
K-410-K	Two-handle ceramic valve	<input type="checkbox"/> NA	

Product Specification

The dual control wall-mounted faucet shall be of brass construction. Product shall feature a 5-5/16" (13.5 cm) spout from wall to center of outlet and a flow rate of 2.0 gallons (7.6 L) per minute [max at 60 psi (4.14 bar)]. Product shall be available with cross or lever handles. Laminar wall-mount faucet shall be Kohler Model K-T____-____-____ with required valve K-410-K-NA.

PURIST®

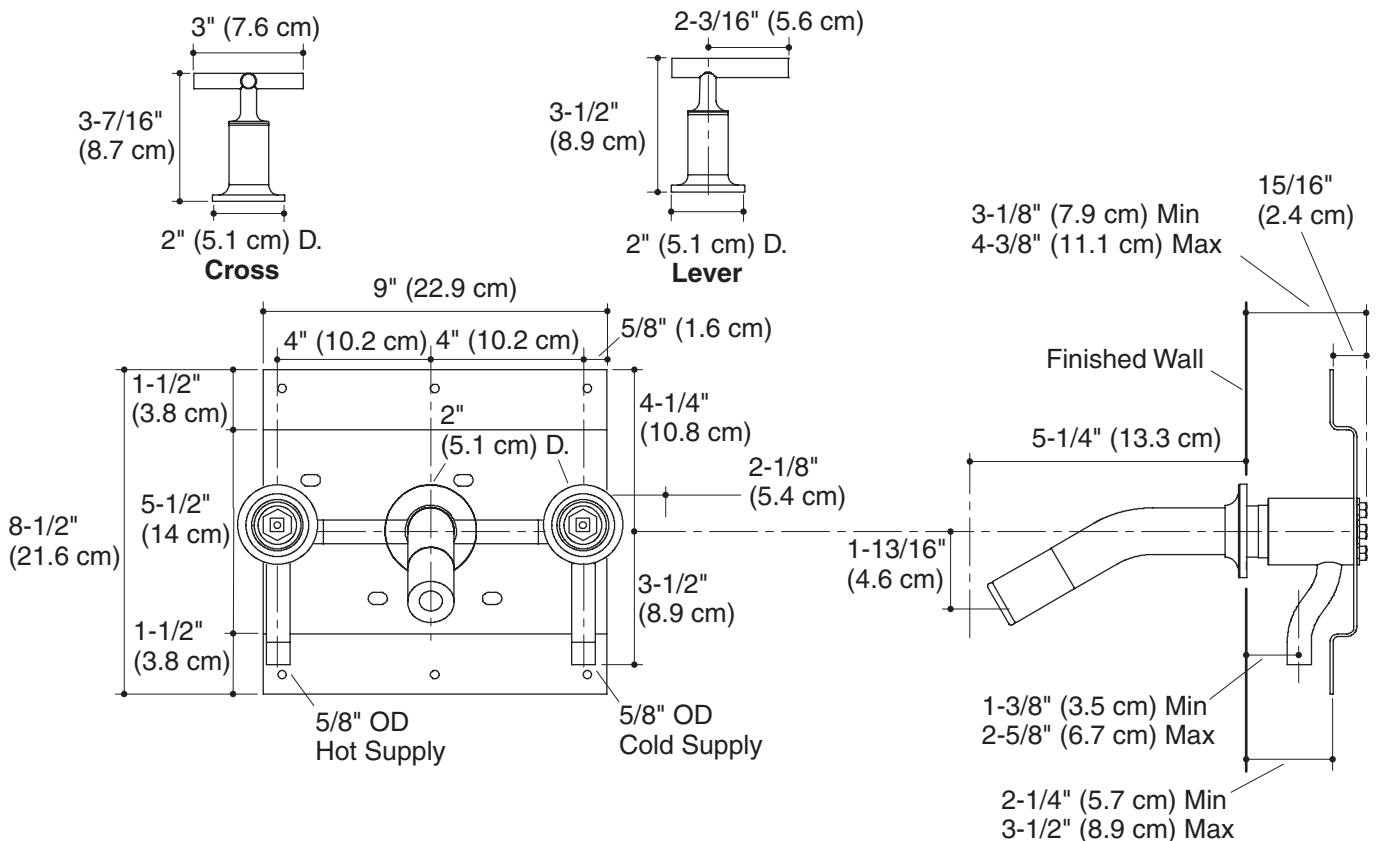
Optional Accessories						
K-7702	Pop-up lavatory drain	<input type="checkbox"/> CP				
K-7710	Lavatory drain		<input type="checkbox"/> CP			
K-7715	Lavatory grid drain			<input type="checkbox"/> CP		
K-8801	Duostrainer® sink strainer				<input type="checkbox"/> CP	<input type="checkbox"/> Other _____

Installation Notes

Install this product according to the installation guide.

The distance between the bottom of spout and top of the fixture rim must be no less than 1-1/2" (3.8 cm) and no greater than 6" (15.2 cm).

Three 1-1/2" (3.8 cm) diameter cutout holes are required for the spout and handles.



Product Diagram