

Features

- Metal construction
- Intended for use with Rite-Temp® or HiFlow Rite-Temp® valves
- Variety of handle style options
- Includes showerhead with arm and flange, 5-1/4" (133 mm) diverter spout with NPT or slip-fit connection, and faceplate with handle
- 2.0 gpm (7.6 lpm) showerhead with Katalyst™ Spray Technology

PRESSURE-BALANCING BATH AND SHOWER VALVE TRIM

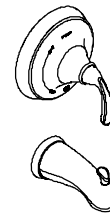
K-T10274
ALSO K-T10275



Codes/Standards Applicable

Specified model meets or exceeds the following:

- ASME A112.18.1/CSA B125.1





Colors/Finishes

- CP: Polished Chrome
- Other: Refer to Price Book for additional colors/finishes

Accessories

- NA: None applicable

Specified Model

Model	Description		
K-T10274-4E	Bath/shower valve trim, sculpted lever handle, NPT spout (shown)	<input type="checkbox"/> CP <input type="checkbox"/> Other ____	
K-T10274-4AE	Bath/shower valve trim, traditional lever handle, NPT spout		<input type="checkbox"/> CP <input type="checkbox"/> Other ____
K-T10275-4E	Bath/shower valve trim, sculpted lever handle, slip-fit spout	<input type="checkbox"/> CP <input type="checkbox"/> Other ____	
K-T10275-4AE	Bath/shower valve trim, traditional lever handle, slip-fit spout		<input type="checkbox"/> CP <input type="checkbox"/> Other ____

Rite-Temp® valve must be ordered to complete faucet.

Product Specification

The Rite-Temp® pressure-balancing single-control bath and shower valve trim shall be made of metal construction. Product shall be intended for use with Rite-Temp or HiFlow Rite-Temp valves. Product shall include showerhead with arm and flange, 5-1/4" (133 mm) diverter spout with NPT or slip-fit connection, and faceplate with handle. Product shall have a variety of handle style options available. Product shall feature 2.0 gpm (7.6 lpm) showerhead with Katalyst Spray Technology. Product shall be K-T____-____-____ and Rite-Temp valve shall be K-304-____-NA **OR** K-2791-KS-NA HiFlow Rite-Temp valve.

FORTÉ® RITE-TEMP®

Required Accessories				
K-304-*	Rite-Temp valve OR	<input type="checkbox"/> NA		
K-2971-KS	HiFlow Rite-Temp valve with stops	<input type="checkbox"/> NA		
* For a complete listing of all the Rite-Temp valves, refer to the K-304-* Specification sheet or Roughing-in sheet.				
Optional Accessories				
88526	HiFlow Rite-Temp thin wall installation kit	<input type="checkbox"/> CP	<input type="checkbox"/> Other _____	
1025388	Forté® deep roughing-in kit for Rite-Temp valve (lever handles)			<input type="checkbox"/> NA

Installation Notes

Install this product according to the installation guide.

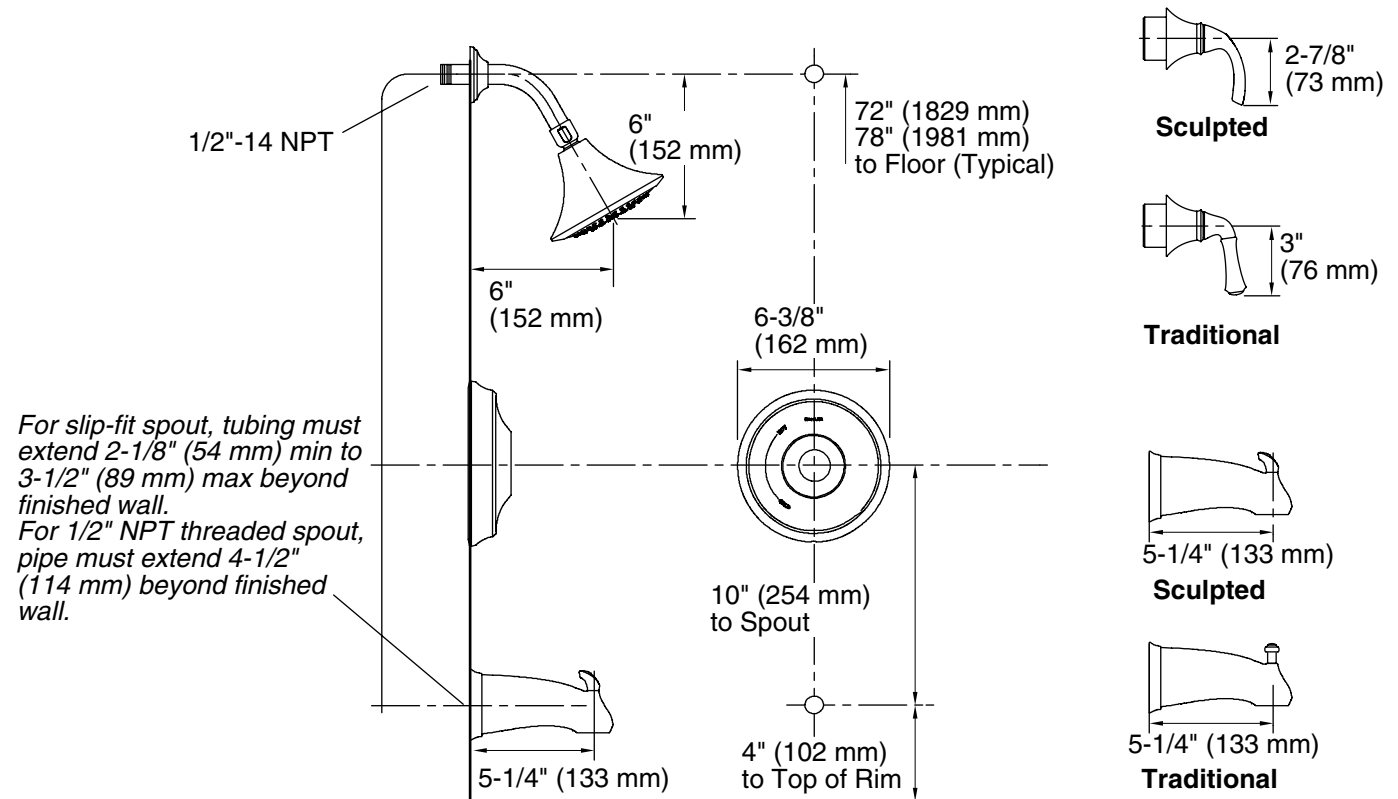
Install the Rite-Temp® valve according to the valve installation guide.

NOTICE: Risk of product damage. Long screws, for installing trim, can damage the K-2971-KS valve. Consult the trim installation guide to verify if the thin wall installation kit (88526) is needed.

Avoid cross-flow conditions. Do not install shut-off device on either valve outlet.

Cap shower outlet if deck-mounted spout, diverter, or handshower is connected to the spout outlet.

Install straight pipe or tube drop of 7" (178 mm) to 18" (457 mm) with single elbow between valve and wall-mount spout.



Product Diagram