

Features

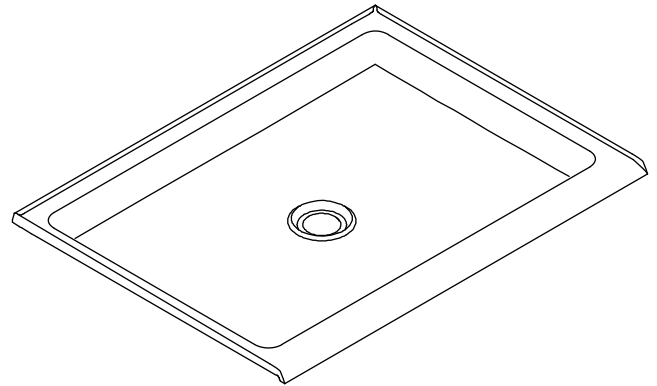
- Cast iron with Safeguard® finish
- Center drain outlet
- Drop-in or tile-in installation
- 48" (1219 mm) x 36" (914 mm) x 4" (102 mm)

Codes/Standards Applicable

Specified model meets or exceeds the following:

- ASME A112.19.1/CSA B45.2
- ASTM F462 Slip Resistance

ENAMELED CAST IRON SHOWER BASE K-9025, K-9026



Colors/Finishes

- 0: White
- Other: Refer to Price Book for additional colors/finishes

Accessories

- CP: Polished Chrome
- PB: Vibrant® Polished Brass
- Other: Refer to Price Book for additional colors/finishes
- NA: None applicable

Specified Model

Model	Description	Colors/Finishes	
K-9025	Kathryn® shower base with center drain (honeycomb Safeguard pattern)	<input type="checkbox"/> 0	<input type="checkbox"/> Other_____
K-9026	Purist® shower base with center drain (rectangular Safeguard pattern)	<input type="checkbox"/> 0	<input type="checkbox"/> Other_____

Recommended Accessory		Colors/Finishes		
K-9132	Drain	<input type="checkbox"/> CP	<input type="checkbox"/> PB	<input type="checkbox"/> Other_____

Optional Accessories			
K-1657 and K-1663	Steam generator and control kit	<input type="checkbox"/> CP	<input type="checkbox"/> NA
K-1708 and K-1647-PC	Power Clean™ steam generator and control kit	<input type="checkbox"/> CP	<input type="checkbox"/> NA <input type="checkbox"/> Other_____

Product Specification

The enameled cast iron shower base shall be 48" (1219 mm) in length, 36" (914 mm) in width, and 4" (102 mm) in height. Shower base shall have Safeguard finish, center drain, and allow for drop-in or tile-in installation. Product shall be Kohler Model K-_____-_____.

Technical Information

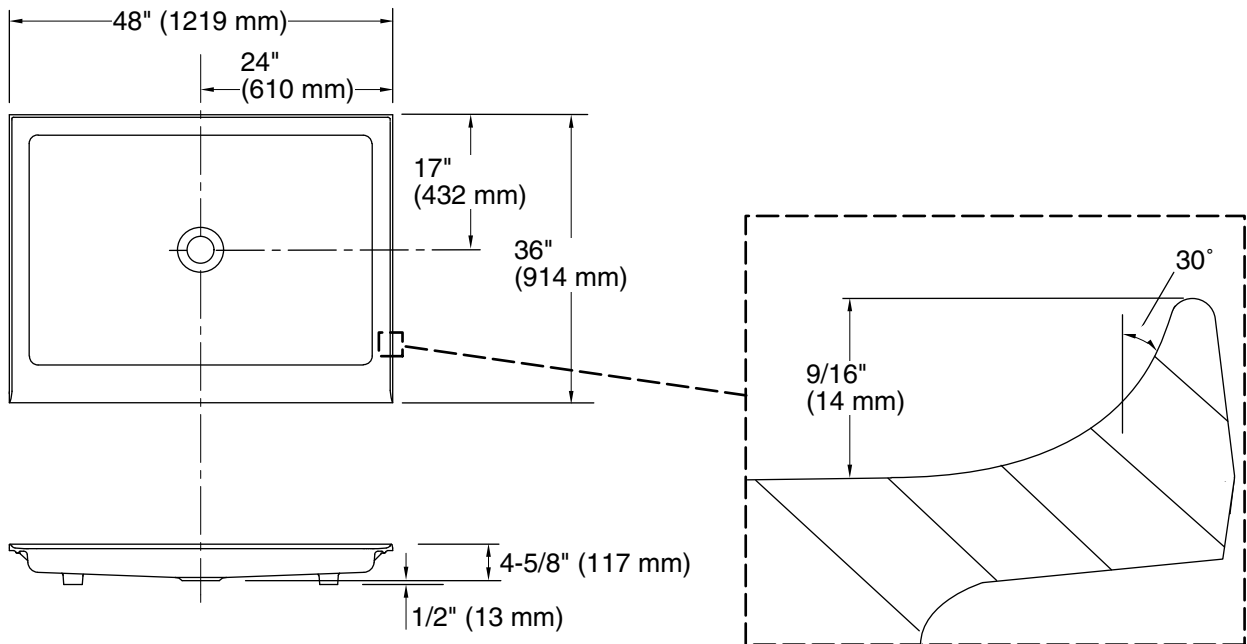
Fixture*:	
Weight	175 lbs (79.4 kg)
Drain Outlet	Ø 3-3/8" (86 mm)
Configuration	1-piece
*Approximate measurements for comparison only.	

Installation Notes

Install this product according to the installation guide.

The dimensions are applicable for this product only and should not be used to fabricate substitute bases for shower enclosures.

The K-1657/K-1663 or K-1708/K-1647-PC steam generator/control kit are designed for use with this product. Kohler shall not be responsible for problems encountered due to the installation and use of other manufacturer's steam generators.



Product Diagram