

### Features

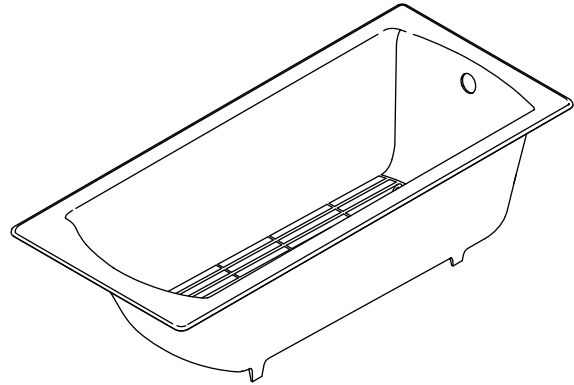
- Cast iron with Safeguard® finish
- 66-15/16" (170 cm) x 29-1/2" (74.9 cm) x 19-1/8" (48.6 cm)

### DROP-IN BATH K-8277

### Codes/Standards Applicable

Specified model meets or exceeds the following:

- ASME A112.19.1/CSA B45.2



### Colors/Finishes

- 0: White
- Other: Refer to Price Book for additional colors/finishes

### Accessories

- CP: Polished Chrome
- PB: Vibrant® Polished Brass
- NA: None applicable
- Other: Refer to Price Book for additional colors/finishes

### Specified Model

Model	Description	Colors/Finishes		
K-8277	Drop-in bath	<input type="checkbox"/> 0	<input type="checkbox"/> Other_____	
<b>Required Accessories</b>				
K-7161-AF	Clearflo pop-up bath drain	<input type="checkbox"/> CP	<input type="checkbox"/> PB	<input type="checkbox"/> Other_____
<b>Optional Accessories</b>				
K-18416	Adjustable feet	<input type="checkbox"/> NA		

### Product Specification

The drop-in bath shall be made of cast iron with Safeguard® finish. Bath shall be 66-15/16" (170 cm) in length, 29-1/2" (74.9 cm) in width, and 19-1/8" (48.6 cm) in height. Bath shall be Kohler Model K-8277-\_\_\_\_\_.

## Technical Information

Fixture*:	
Bathing Well:	
Basin area, top	58" (147.3 cm) x 24-1/2" (62.2 cm)
Basin area, bottom	50-11/16" (128.7 cm) x 20-1/8" (51.1 cm)
Weight	347 lbs (157.4 kg)
To Overflow:	
Water depth	13-7/16" (34.1 cm)
Capacity	61.5 gal (232.8 L)
* Approximate measurements for comparison only.	
Drop-in cut-out	65-1/2" (166.4 cm) x 28" (71.1 cm)

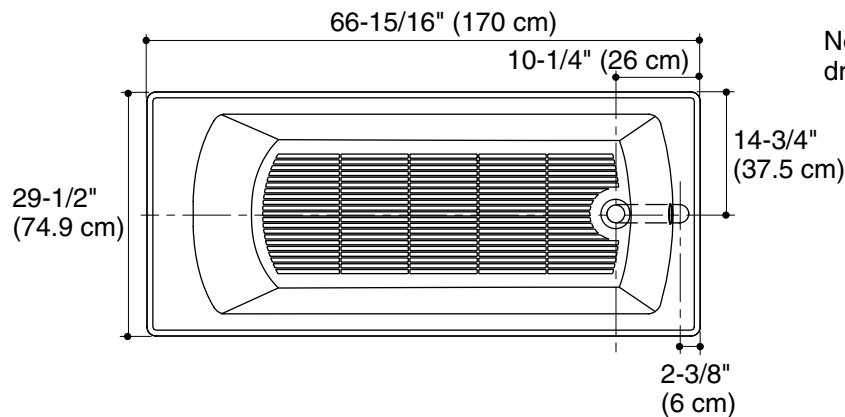
## Installation Notes

Install this product according to the installation guide.

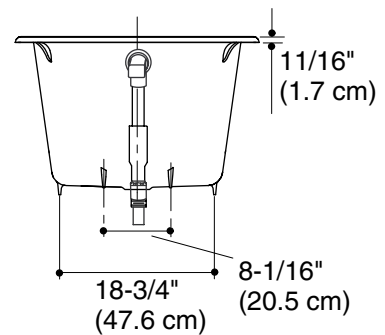
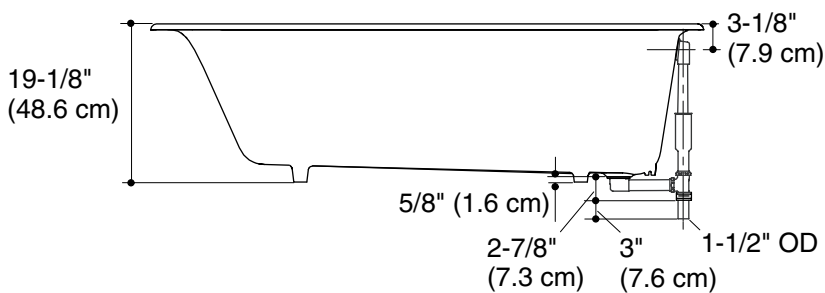
Floor support under the bath must provide for a minimum of 65 lbs/square foot (315 kg/square meter) loading.

Hot water supply should be 70% of capacity or greater. Installations will vary.

This bath is designed for drop-in installation only. It is not suited for use in a three-wall alcove with an overhead shower.



No change in measurement if connected with drain illustrated. (K-7161-AF)



## Product Diagram