

Features

- Metal construction
- Two quarter-turn washerless ceramic disc valves
- Available with or without matching finish sidespray
- For 8" (20.3 cm) centers
- Flexible connections for easy installation
- 360° spout rotation
- Optional aerator kits available
- 8-3/8" (21.3 cm) spout reach
- 1.8 gallons (6.8 L) per minute maximum flow rate
- Meets CALGreen requirements for kitchen faucets

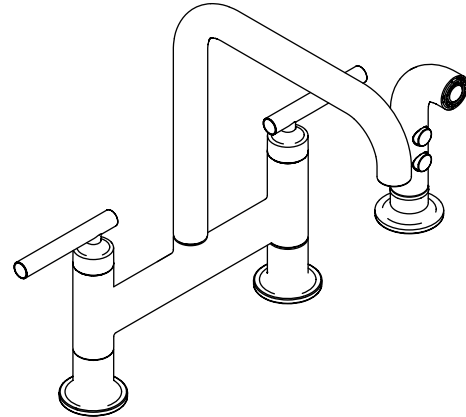
**DECK-MOUNT BRIDGE KITCHEN
SINK FAUCET
K-7547
ALSO K-7548**

ADA

Codes/Standards Applicable

Specified model meets or exceeds the following at date of manufacture:

- ADA
- ICC/ANSI A117.1
- ASME A112.18.1/CSA B125.1
- Energy Policy Act of 1992
- NSF 61
- All applicable US Federal and State material regulations



Colors/Finishes

- CP: Polished Chrome
- Other: Refer to Price Book for additional colors/finishes

Specified Model

Model	Description	Colors/Finishes	
K-7547-4	Deck-mount bridge kitchen sink faucet – without sidespray	<input type="checkbox"/> CP	<input type="checkbox"/> Other ____
K-7548-4	Deck-mount bridge kitchen sink faucet – with sidespray (shown)	<input type="checkbox"/> CP	<input type="checkbox"/> Other ____

Optional Accessories:		
1089003	Low flow aerator kit – 1.5 gpm (5.7 lpm)	<input type="checkbox"/> NA
1088956	Aerator kit – 2.2 gpm (8.3 lpm)	<input type="checkbox"/> NA
1030920	Side spray deep roughing-in kit	<input type="checkbox"/> NA

Product Specification

The two-handle deck-mount bridge kitchen sink faucet shall be of metal construction. Product shall have a maximum flow rate of 1.8 gallons (6.8 L) per minute with optional aerator kits available. Product shall feature two quarter-turn washerless ceramic disc valves, an 8-3/8" (21.3 cm) spout reach, 360° spout rotation, and flexible connections for easy installation. Faucet shall be for 8" (20.3 cm) centers. Product shall be available with or without matching finish sidespray. Faucet shall meet CALGreen requirements for kitchen faucets. Faucet shall be Kohler Model K-____-4-____.

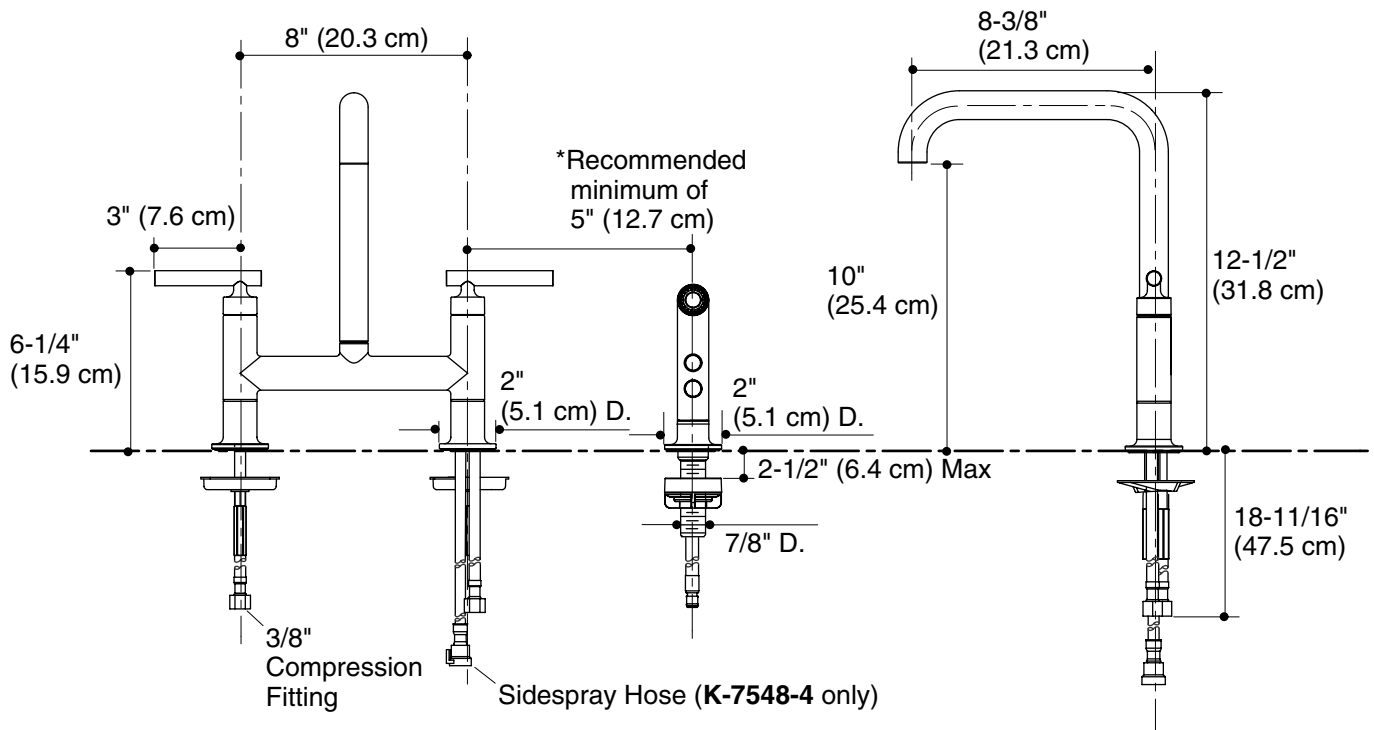
PURIST®

Installation Notes

Install this product according to the installation guide.

ADA compliant when installed to the specific requirements of the regulation.

***For Model K-7548-4 with matching finish sidespray:** Drill the hole for the sidespray a minimum of 5" (12.7 cm) from the center of the lever handle.



Product Diagram