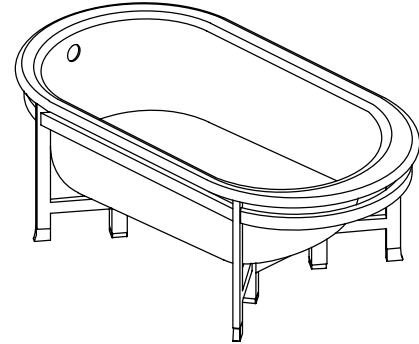


#### FEATURES

- 66" (167.6cm) x 36" (91.4cm) x 24-1/2" (62.2cm) (height with surround)
- Cast iron with Safeguard® finish
- Hard select maple and veneers



#### CODES/STANDARDS APPLICABLE

Specified model meets or exceeds the following:

- ASME/ANSI A112.19.1M

#### COLORS/FINISHES

##### Cast Iron Bath:

- 0 White
- 47 Almond
- 96 Biscuit
- Other Refer to Fixtures Price Book for additional colors

##### Accessories:

- CP Polished Chrome
- PB Polished Brass
- Other Refer to Faucets Price Book for additional finishes

#### SPECIFIED MODEL:

Model	Description	Colors/Finishes	
K-727-1A	Almond exterior bath and Sunwash surround	<input type="checkbox"/> 47 Almond	
K-727-1B	Biscuit exterior bath and Sunwash surround	<input type="checkbox"/> 96 Biscuit	
K-727-1S	Sandbar exterior bath and Sunwash surround	<input type="checkbox"/> 0 White	<input type="checkbox"/> Other_____
K-727-1W	White exterior bath and Sunwash surround	<input type="checkbox"/> 0 White	<input type="checkbox"/> Other_____
K-727-2A	Almond exterior bath and Black Forest surround	<input type="checkbox"/> 47 Almond	
K-727-2B	Biscuit exterior bath and Black Forest surround	<input type="checkbox"/> 96 Biscuit	
K-727-2S	Sandbar exterior bath and Black Forest surround	<input type="checkbox"/> 0 White	<input type="checkbox"/> Other_____
K-727-2W	White exterior bath and Black Forest surround	<input type="checkbox"/> 0 White	<input type="checkbox"/> Other_____

Recommended Accessories				
K-7178	Drain <b>OR</b>	<input type="checkbox"/> CP	<input type="checkbox"/> PB	<input type="checkbox"/> Other_____
K-7104	Drain for use with Antique™ or IV Georges Brass™ faucet	<input type="checkbox"/> CP	<input type="checkbox"/> PB	<input type="checkbox"/> Other_____

#### PRODUCT SPECIFICATION:

The bath with wood surround shall be 66" (167.6cm) in length, 36" (91.4cm) in width, and 24-1/2" (62.2cm) in height. Bath shall be made of cast iron with Safeguard® finish. Wood bath surround shall be made of select hard maple and veneers. Bath and wood surround shall be Kohler Model K-727-\_\_\_\_\_-\_\_\_\_\_.

# IRON WORKS TELLIEUR™

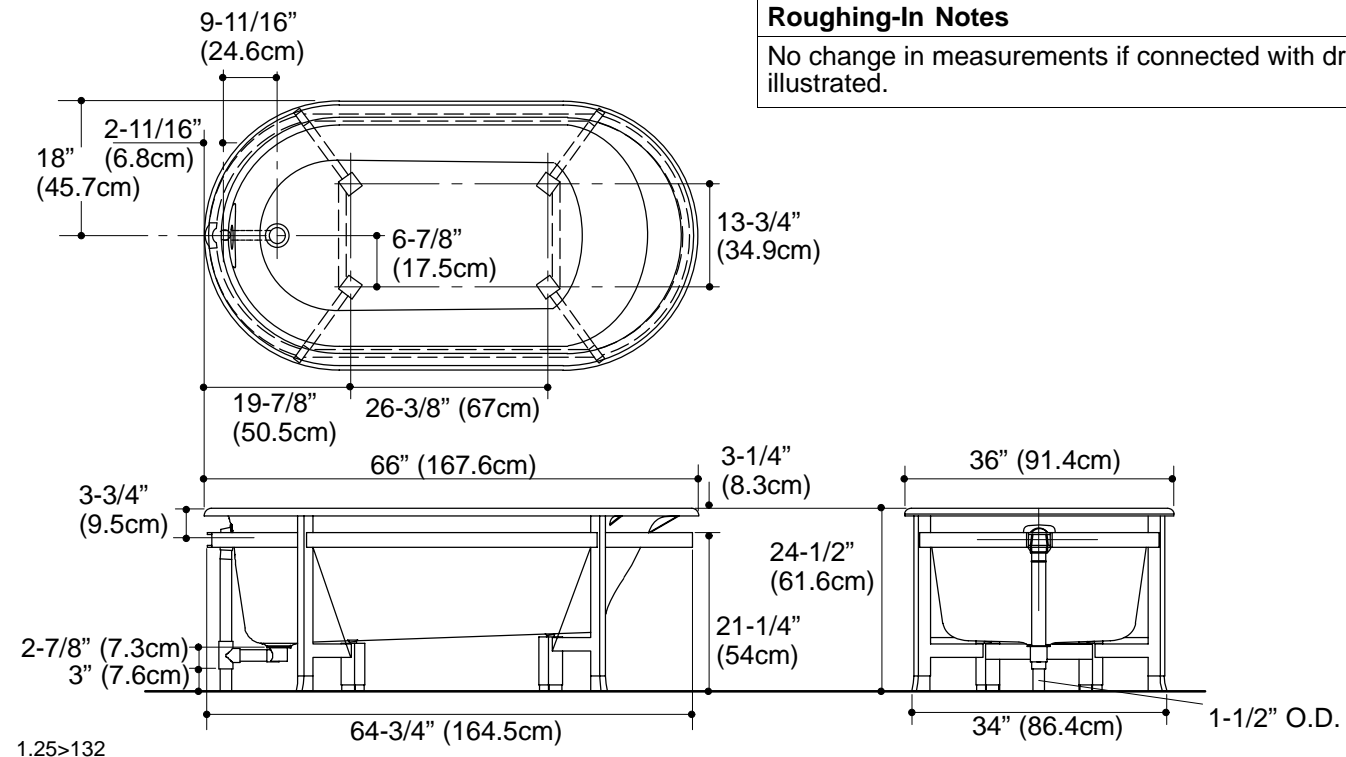
## PRODUCT INFORMATION

Fixture*:	basin area	top area	weight
Bathing well	47-1/2" (120.7cm) x 25" (63.5cm)	55" (139.7cm) x 29" (73.7cm)	410 lbs. (186 kg)
	water depth	capacity	
To overflow	12-5/8" (32.1cm)	64 gals. (242.2L)	

\* Approximate measurements for comparison only.

## INSTALLATION NOTES

**NOTICE:** Unless otherwise specified, floor support under bath must provide for a minimum of 80 lbs./square foot (390 Kg./square meter) loading.



**Roughing-In Notes**  
No change in measurements if connected with drain illustrated.

## PRODUCT DIAGRAM