

KOHLER

LOTUS POOLTM TABLE FRAME AND CONSOLE TOP

K-6898 INSTALLATION INSTRUCTIONS

MATERIALS NEEDED:

- Measuring Tape
- Adhesive Sealant
- Drill with 1/4" Bit
- Safety Glasses
- Hex Wrench
- Adjustable Wrench

BEFORE YOU BEGIN

1.

Unpack the Console Top and Frame parts, inspect for damage.

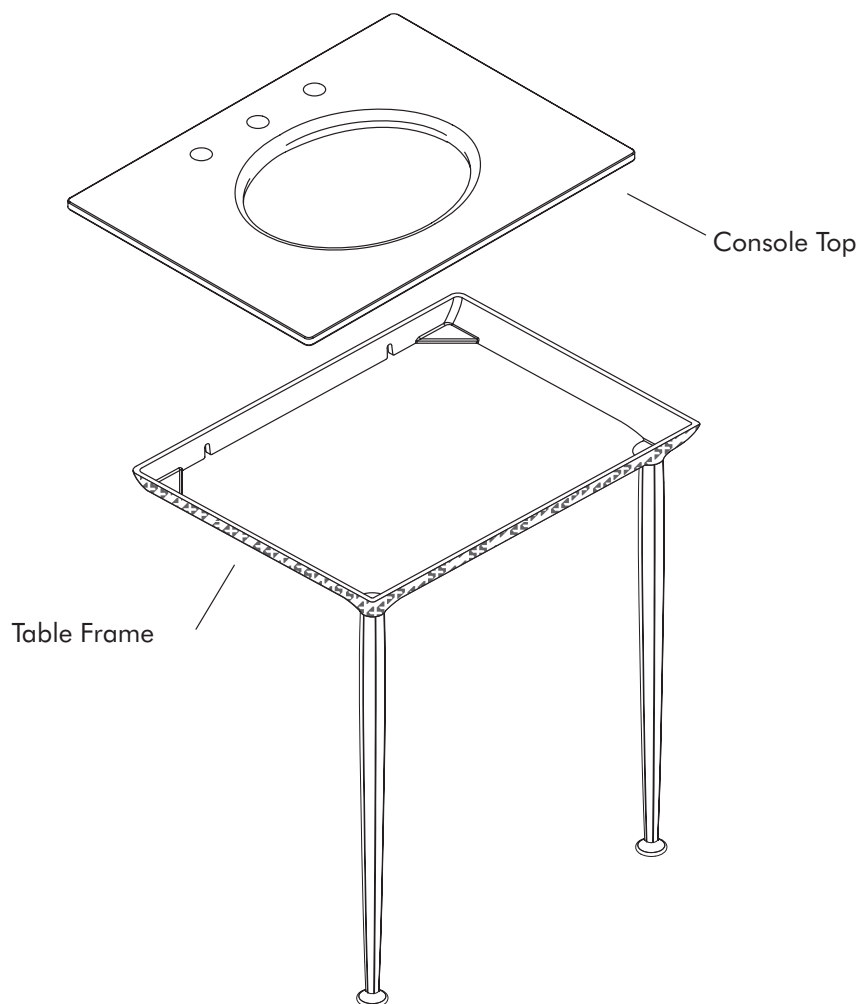
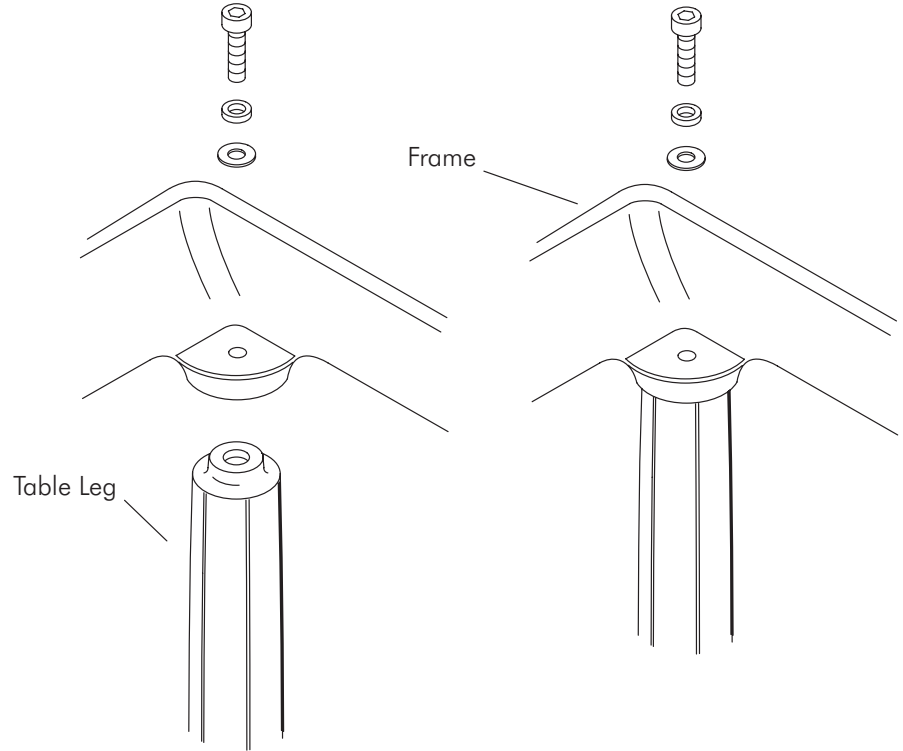


TABLE LEG ASSEMBLY

2.

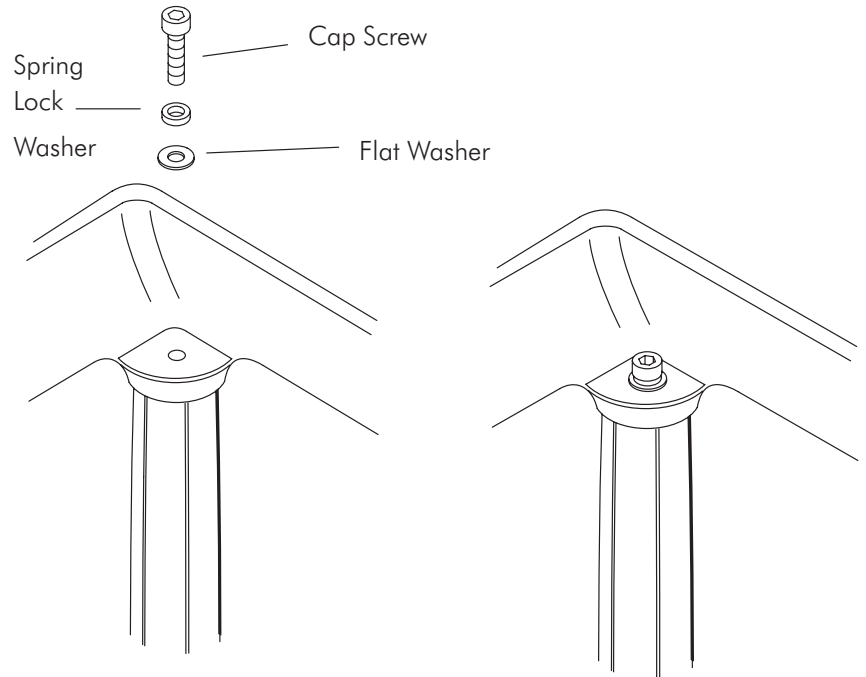
Fully insert the first leg into the bottom of the frame.



INSERT SCREW

3.

Place the spring lock washer onto the cap screw, then put the flat washer on. Using a hex wrench, tighten the cap screw into the table leg.



INSTALL LEG LEVELERS

4.

Insert the leveler into the bottom of the table leg, rotate the leveler in a clockwise direction until the desired height has been achieved.

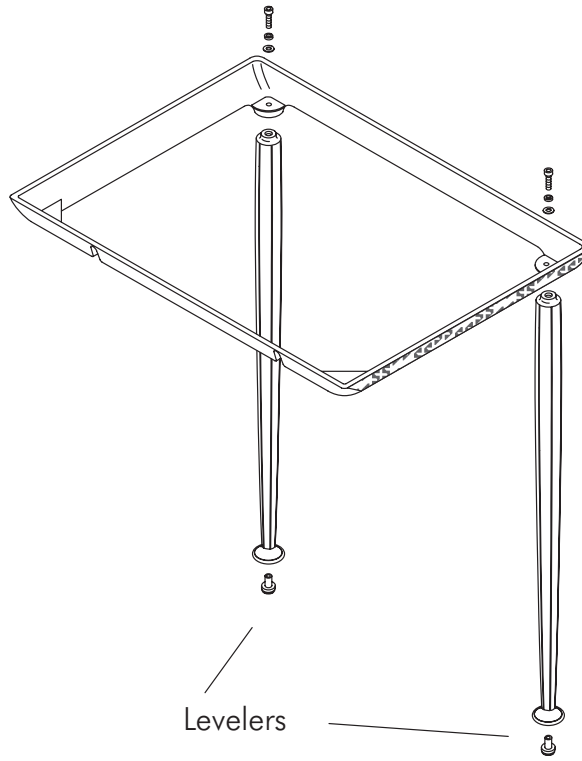


TABLE TO WALL INSTALLATION

5.

Construct 2x4 stud framing according to the roughing-in dimensions.

Install stacked 2x4 stringers between the stud framing according to the height requirements in the roughing-in dimensions.

Drill two 1/4" holes into the stacked 2x4 stringers. Make sure each hole is 8" (20.3cm) from the center of the stringer, 16" (40.6cm) apart total. These holes should match up with the back panel slots of the table.

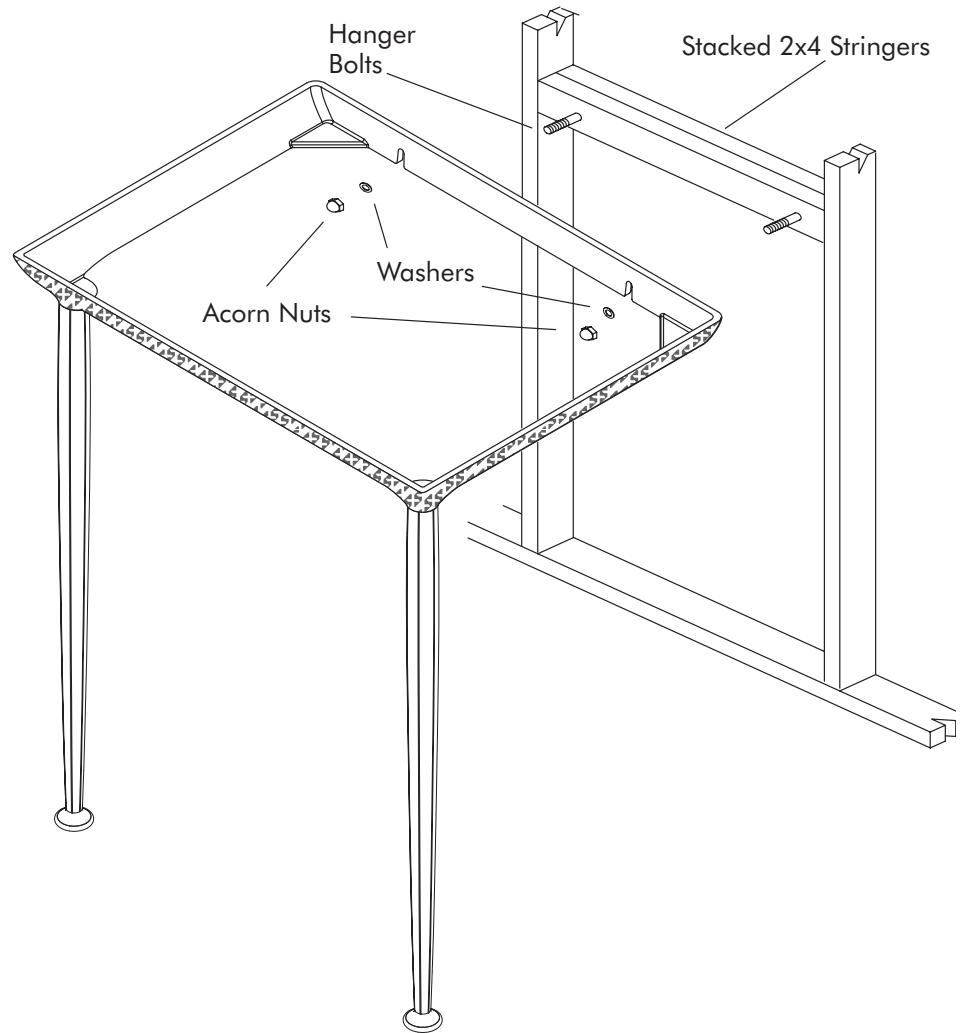
Insert two hanger bolts from the rear of the assembly. With the hanger bolts facing outward, mount the framing to the wall using the appropriate construction practices.

NOTE: To ensure proper fit and appearance, when mounted the bolts should be 32-7/8" (83.5cm) above the floor.

Select a drywall section and drill two 1/4" holes to accommodate the hanger bolts. Attach drywall section to the existing wall.

Position the table back panel slots onto the hanger bolts protruding from the wall. Push table back to make sure it is flush against the wall.

Thread two acorn nuts onto the hanger bolts. Using an adjustable wrench tighten the two acorn nuts to secure the back panel to wall.



CONSOLE TOP PLACEMENT

6.



CAUTION: RISK OF PERSONAL INJURY OR PRODUCT

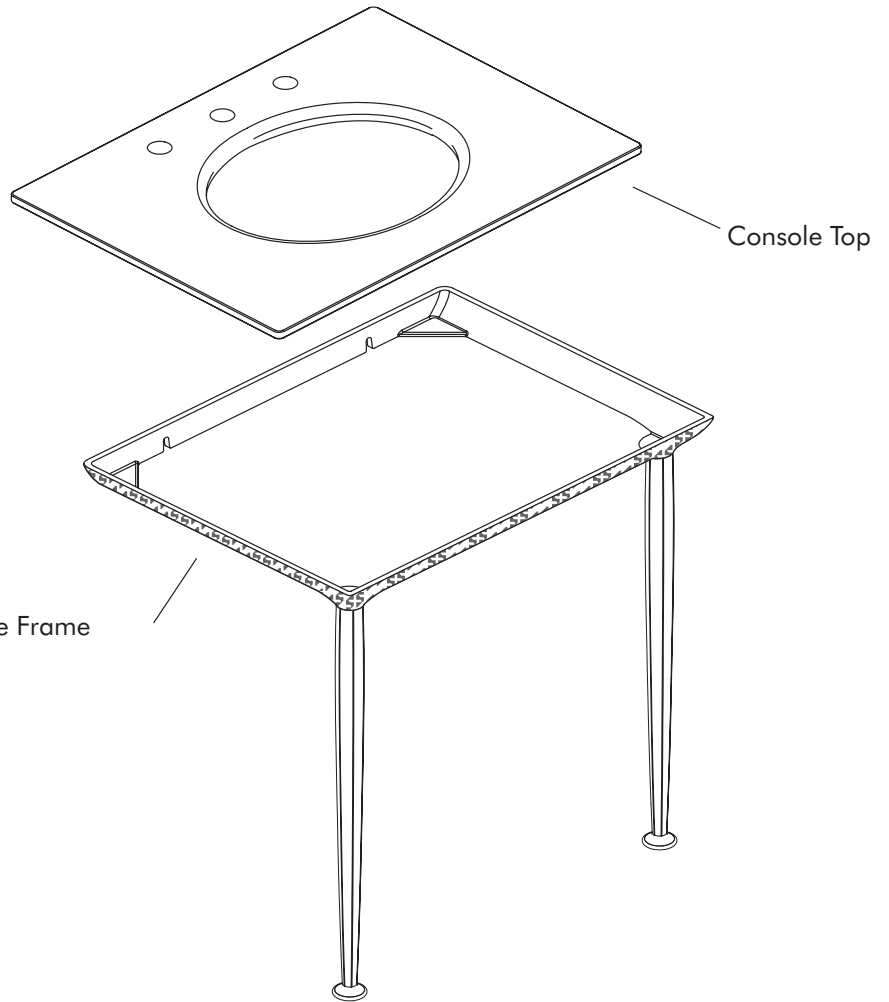
DAMAGE. Get help lifting the Console Top into place.

Apply a thin continuous bead of sealant around the perimeter of the top edge of the console frame.

Position the Console Top on the Console Frame. Make sure that the precut hole for the lavatory is in the appropriate place.

Center the Console Top from side-to-side on the frame.

Table Frame



CALL US FOR HELP

Questions? Problems? First review the installation instructions to ensure correct installation. For additional assistance, call our Customer Service Department for direct help. You may also contact us at our web site listed below.

In the U.S.A., call 1-800-4-KOHLER

In Mexico, call 001-877-680-1310

In Canada, call 1-800-964-5590

THE BOLD LOOK
OF **KOHLER**[®]
www.kohlerco.com