

## Features

- Vitreous china.
- Floor-mount.
- Square basin.
- Siphon jet flushing rim.
- 1.5-inch top spud.
- 2.5-inch trapway.
- 26-5/8" (676 mm) x 21" (533 mm) x 20" (508 mm)

## Recommended Accessories

K-8935 Stainless Steel Rim Guard  
21401 Closet bolt assembly

## Components

Additional included component/s: 1.5" spud, and bolt caps (1 pair).



## Codes/Standards

ASME A112.19.2/CSA B45.1


## KOHLER® One-Year Limited Warranty

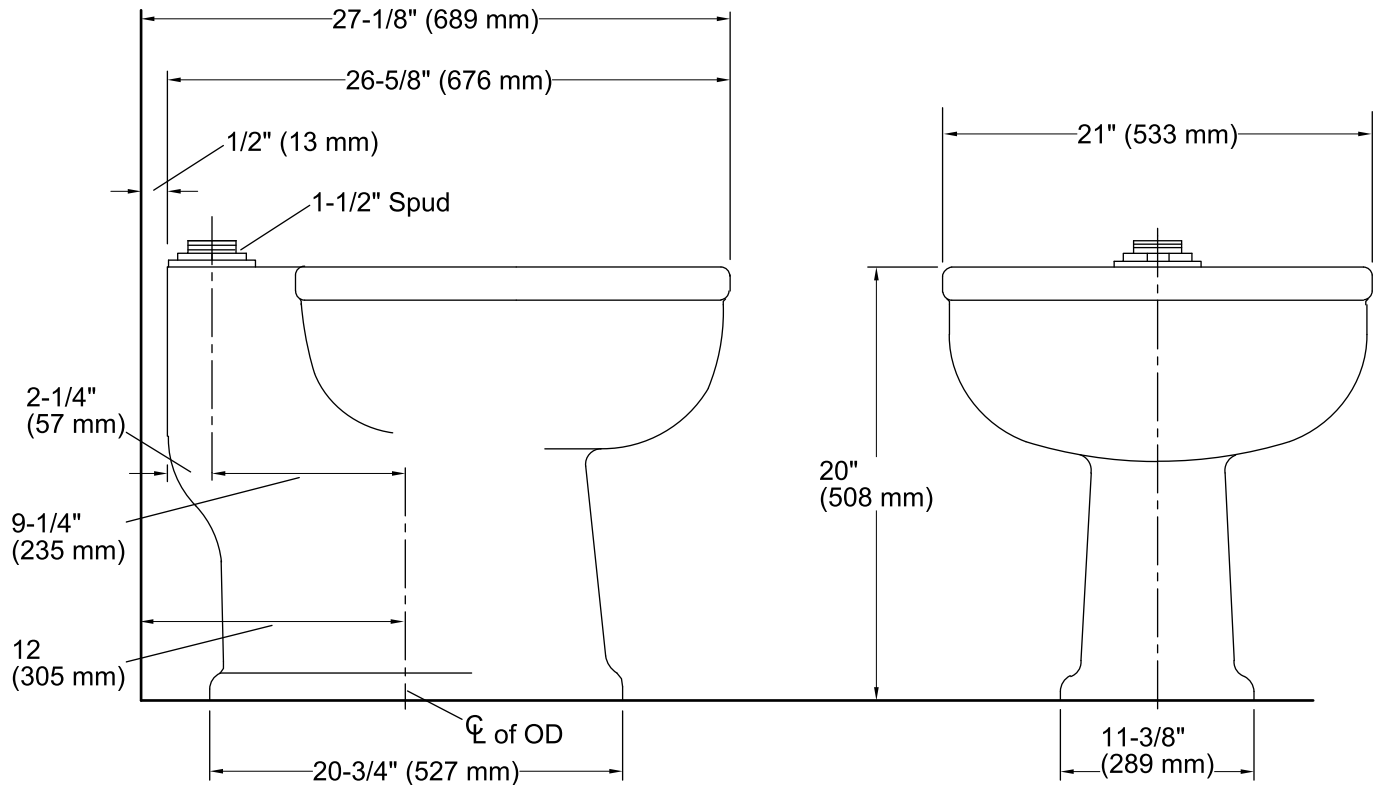
See website for detailed warranty information.

## Available Color/Finishes

*Color tiles intended for reference only.*

| Color | Code | Description |
|-------|------|-------------|
|-------|------|-------------|

|  |   |       |
|--|---|-------|
|  | 0 | White |
|--|---|-------|



## Technical Information

All product dimensions are nominal.

|                     |   |
|---------------------|---|
| Bowl configuration: | Single  |
| Installation:       | Standalone, Standalone  |
| Bowl area (Only)    | Length: 17" (432 mm)<br>Width: 17" (432 mm)<br>Water depth: 7-5/8" (194 mm) |
| Drain hole:         | 2-5/8" (67 mm)  |

## Notes

Install this product according to the installation instructions.