

TOP-MOUNT BAR SINK K-6560

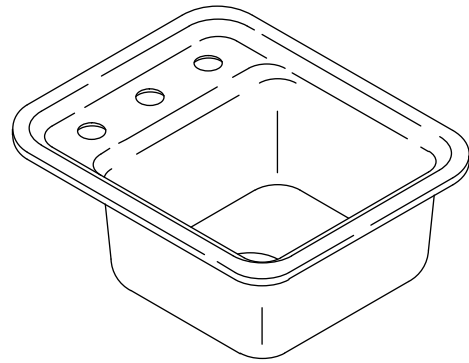
Features

- KOHLER cast iron
- Acid-resistant enamel finish
- Top-mount
- Single compartment
- 3-hole (-3), 2-hole (-2) or single-hole (-1)
- 16" (406 mm) x 19" (483 mm)

Codes/Standards Applicable

Specified model meets or exceeds the following:

- ASME A112.19.1/CSA B45.2



Colors/Finishes

- 0: White
- Other: Refer to Price Book for additional colors/finishes

Accessories

- CP: Polished Chrome
- NA: None applicable
- Other: Refer to Price Book for additional colors/finishes

Specified Model

Model	Description	Colors/Finishes	
K-6560-3	Top-mount bar sink - 3-hole (shown)	<input type="checkbox"/> 0	<input type="checkbox"/> Other_____
K-6560-2	Top-mount bar sink - 2-hole	<input type="checkbox"/> 0	<input type="checkbox"/> Other_____
K-6560-1	Top-mount bar sink - 1-hole	<input type="checkbox"/> 0	<input type="checkbox"/> Other_____

Optional Accessories

K-6508	Hardwood cutting board	<input type="checkbox"/> NA	
K-8801	Duostrainer® sink strainer	<input type="checkbox"/> CP	<input type="checkbox"/> Other_____

Product Specification

The top-mount bar sink shall be made of cast iron with acid-resistant enamel finish. Sink shall be top-mount with a single compartment. Sink shall be 3-hole (-3), 2-hole (-2), or single-hole (-1). Sink shall be 16" (406 mm) in length and 19" (483 mm) in width. Sink shall be Kohler Model K-6560-_____-_____.

APERITIF™

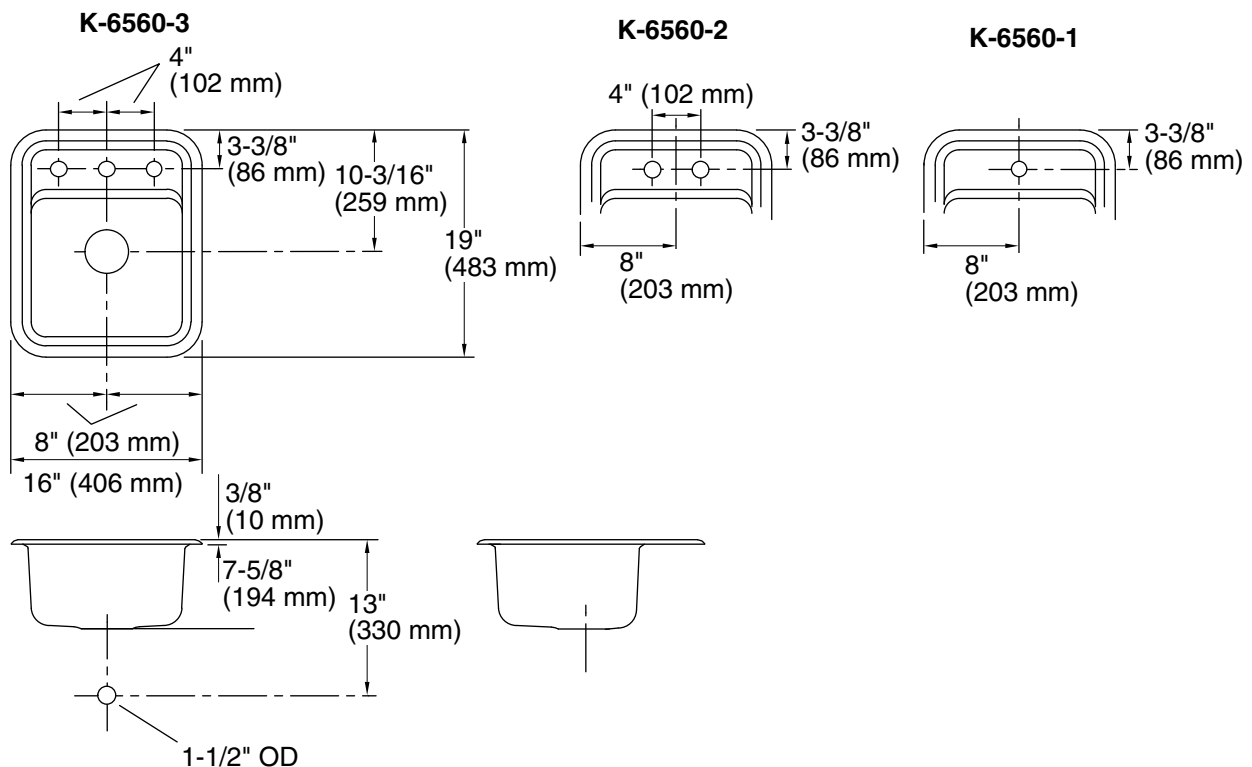
Technical Information

Fixture*:	
Bowl area	12" (305 mm) x 13" (330 mm)
Water depth	6-1/2" (165 mm)
Drain hole	Ø 3-5/8" (92 mm)
Faucet holes	Ø 1-3/8" (35 mm)
* Approximate measurements for comparison only.	

Installation Notes

Install this product according to the installation guide.

Cut-out is 14-3/4" (375 mm) by 17-3/4" (451 mm) with 2-3/8" (60 mm) radius corners.



Product Diagram