

### Features

- Brass construction.
- Integral vacuum breaker.
- One-piece faucet, self-contained ceramic disc valve allows both volume and temperature control.
- 12" (305 mm) spout reach.
- Overhead 27" (686 mm) spout rotates 140° for easy maneuverability and ample room for pots and pans.
- 30" (762 mm) pullout hose.
- Handspray with pause, adjustable spray, and volume control options.
- ADA compliant lever handle at mixing valve for volume and temperature control.
- 2.2 gal/min (8.3 l/min) maximum flow rate [max at 60 psi (4.14 bar)].



### Codes/Standards

ASME A112.18.1/CSA B125.1

NSF 61

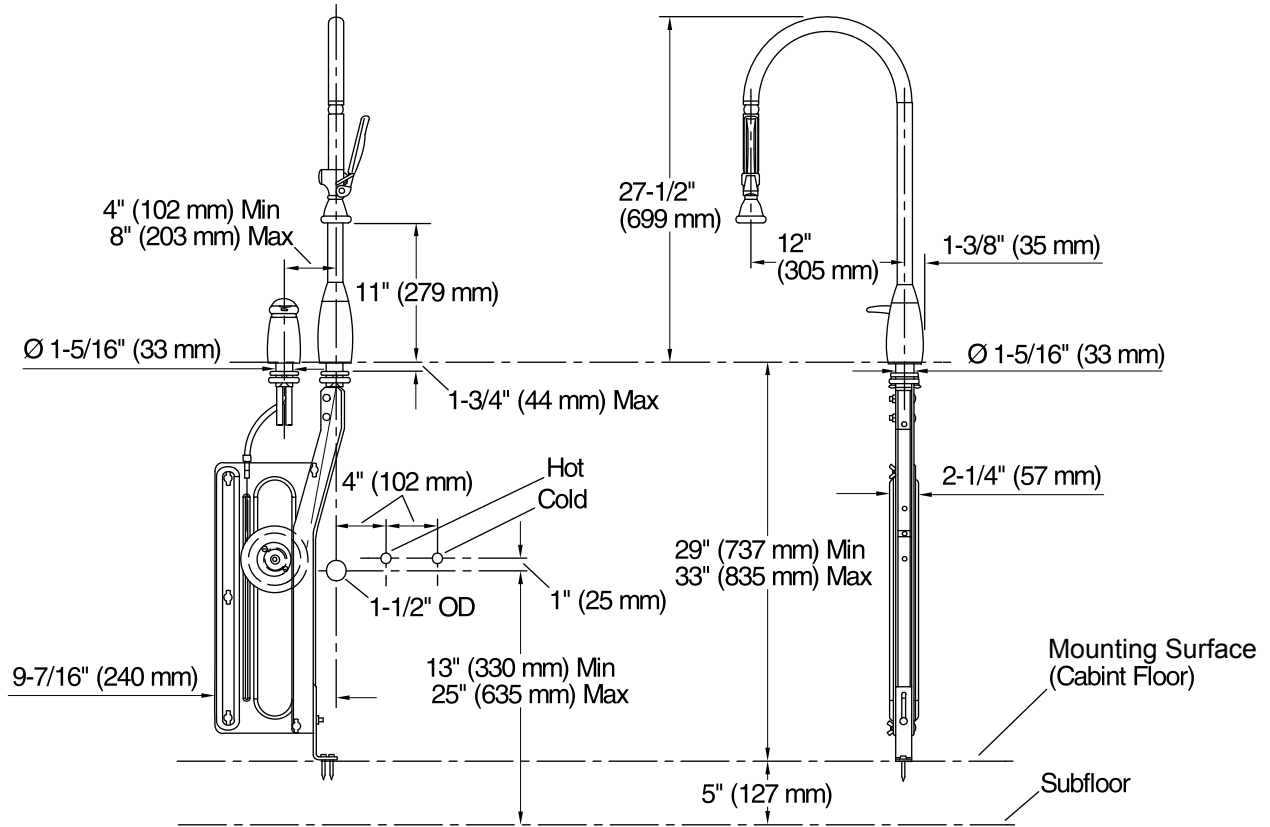
NSF 372

All applicable US Federal and State material regulations

DOE - Energy Policy Act 1992

### KOHLER® Faucet Lifetime Limited Warranty

See website for detailed warranty information.



### Technical Information

All product dimensions are nominal.

#### Spout:

Spout reach: 12" (305 mm)

#### Faucet:

Flow rate: 2.2 gal/min (8.3 l/min)

Pressure: 60 psi (4.1 bar)

### Notes

Install this product according to the installation guide.

Valve and mounting system can be positioned to the left of the spout (as shown) or to the right.