

KITCHEN SINK FAUCET

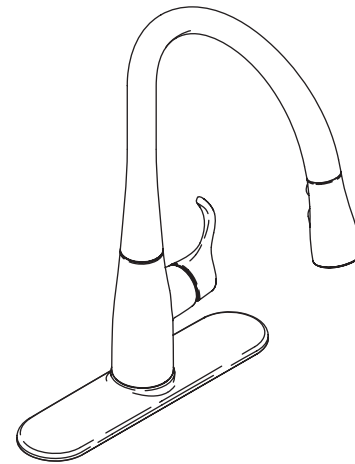
K-596

ALSO K-597

ADA

Features

- Metal construction
- One-piece, self-contained ceramic disc valve allows both volume and temperature control
- Temperature memory allows faucet to be turned on and off at any temperature setting
- Flexible connections for easy installation
- 2.2 gallons (8.3 L) per minute maximum flow rate
- Transitional styling
- Integral pull-down sprayhead with retractable hose
- Includes 10-1/2" (26.7 cm) escutcheon plate
- Compact three-function sprayhead with spray, aerated flow, and pause functions
- Coordinating primary [K-596] and secondary/prep [K-597] sink faucets available
- ADA compliant side lever handle



Codes/Standards Applicable

Specified model meets or exceeds the following:

- ASME 112.18.1/CSA B125
- Energy Policy Act of 1992
- NSF 61
- IAPMO/cUPC
- ADA

Colors/Finishes

- CP: Polished Chrome
- VS: Stainless Steel
- Other: Refer to Price Book for additional colors/finishes

Specified Model

Model	Description	Colors/Finishes	
		<input type="checkbox"/> CP	<input type="checkbox"/> VS
K-596	Kitchen sink faucet – 9" (22.9 cm) spout reach for primary kitchen sinks (shown)	<input type="checkbox"/> CP	<input type="checkbox"/> VS
K-597	Kitchen sink faucet – 8" (20.3 cm) spout reach for secondary/prep sinks	<input type="checkbox"/> CP	<input type="checkbox"/> VS

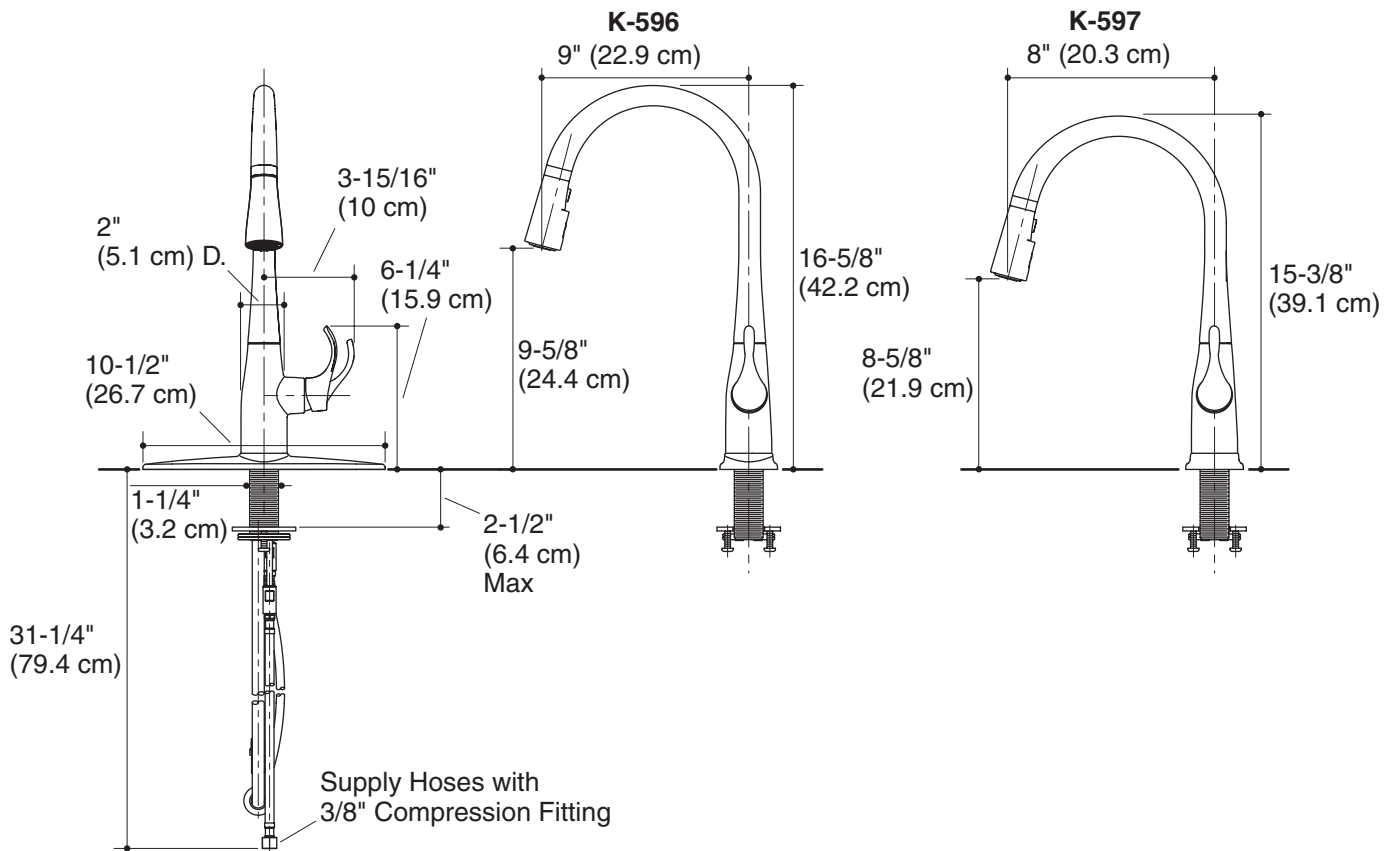
Product Specification

Kitchen sink faucet with transitional styling shall be of metal construction. The valve shall be a one-piece, self-contained ceramic disc valve, allowing both volume and temperature control. Product shall feature temperature memory, allowing the faucet to be turned on and off at any temperature setting. Product shall feature an ADA compliant side lever handle, flexible connections for easy installation, and integral pull-down sprayhead with retractable hose. Product shall feature a compact three-function spray, aerated flow, and pause functions. Product shall be available with coordinating primary [K-596] and secondary/prep [K-597] sink faucets. Product shall have a 2.2 gallon (8.3 L) per minute maximum flow rate. Product shall include a 10-1/2" (26.7 cm) escutcheon plate. Kitchen faucet shall be Kohler Model K-_____-_____.

SIMPLICE™

Installation Notes

Install this product according to the installation guide.



Product Diagram