

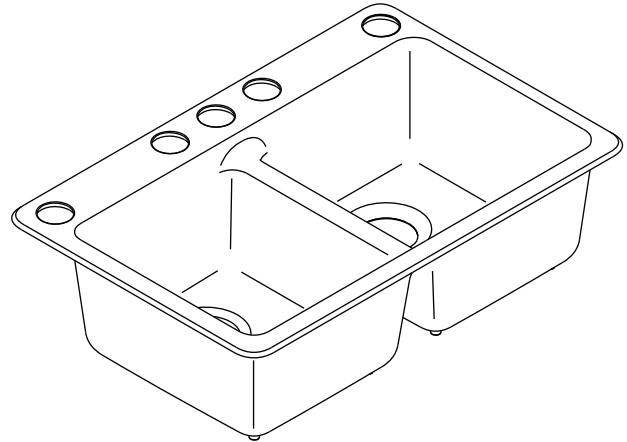
Features

- KOHLER cast iron
- Top-mount or under-mount
- Acid-resistant enamel finish
- Double (equal) compartment
- Available with 1, 2, 3, 4 or 5 hole
- 33" (838 mm) x 22" (559 mm)

Codes/Standards Applicable

Specified model meets or exceeds the following:

- ASME A112.19.1/CSA B45.2



Colors/Finishes

- 0: White
- Other: Refer to Price Book for additional colors/finishes

Accessories

- ST: Stainless Steel

Specified Model

Model	Description	Colors/Finishes	
K-5840-1	Top-mount kitchen sink with 1 faucet hole	<input type="checkbox"/> 0	<input type="checkbox"/> Other _____
K-5840-2	Top-mount kitchen sink with 2 faucet holes	<input type="checkbox"/> 0	<input type="checkbox"/> Other _____
K-5840-3	Top-mount kitchen sink with 3 faucet holes	<input type="checkbox"/> 0	<input type="checkbox"/> Other _____
K-5840-4	Top-mount kitchen sink with 4 faucet holes	<input type="checkbox"/> 0	<input type="checkbox"/> Other _____
K-5840-5U	Under-mount kitchen sink with 5 faucet holes (shown)	<input type="checkbox"/> 0	<input type="checkbox"/> Other _____
Recommended Accessories			
K-6157	Bottom bowl rack		<input type="checkbox"/> ST

Product Specification

The top-mount or under-mount kitchen sink shall be 33" (838 mm) in length and 22" (559 mm) in width. Sink shall be made of cast iron with acid-resistant enamel finish. Sink shall be double (equal) compartment. Top-mount sink shall be single-hole (-1), 2-hole (-2), 3-hole (-3), 4-hole (-4) and under-mount sink shall be 5-hole (-5U) drilled. Sink shall be Kohler Model K-5840-_____-_____.

ANTHEM™

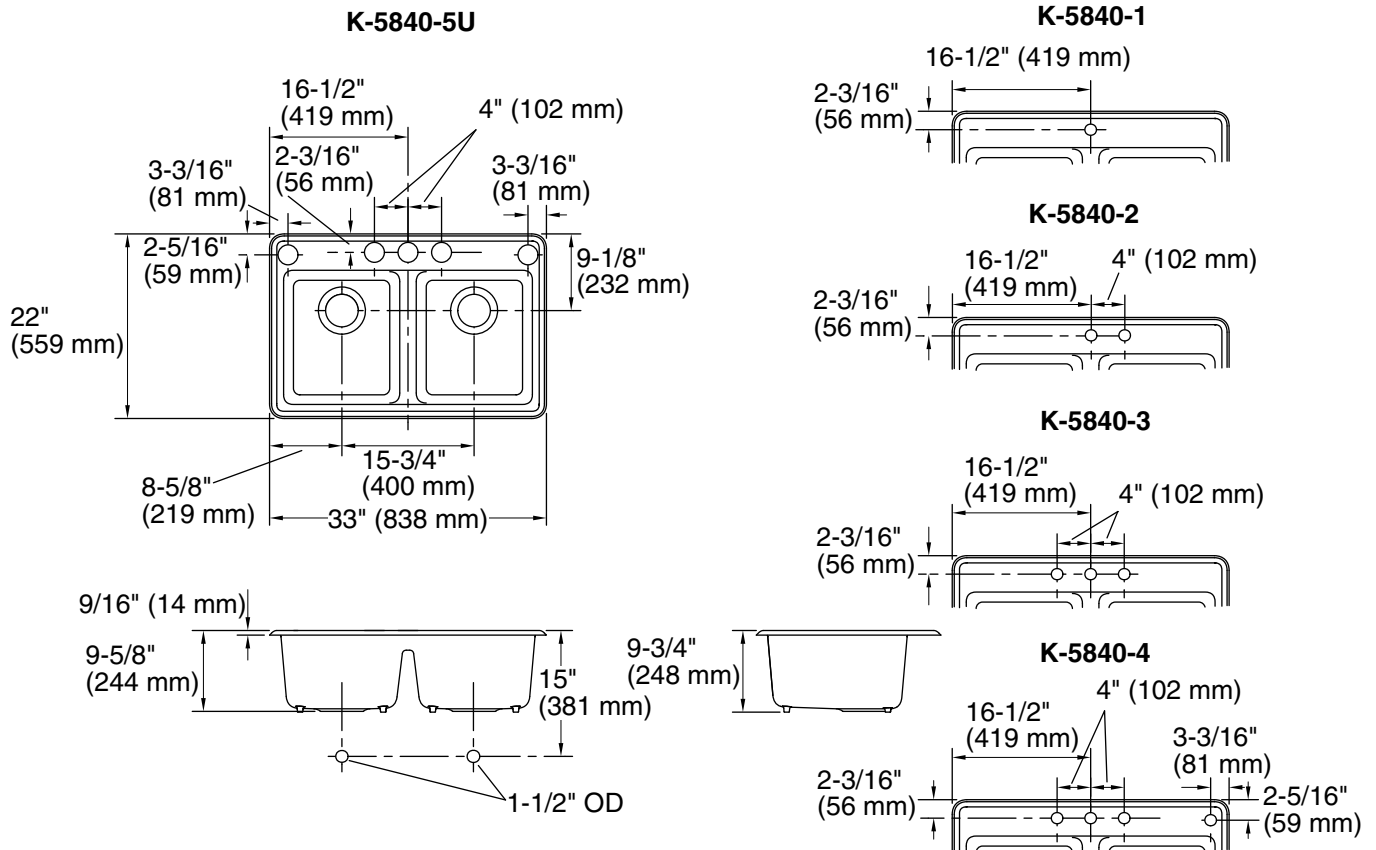
Technical Information

Fixture*:	
Bowl area	14" (356 mm) x 16-1/8" (410 mm)
Water depth	9" (229 mm)
Drain holes	Ø 3-7/8" (98 mm)
Faucet holes	Top-mount: Ø 1-3/8" (35 mm) Under-mount: Ø 2-3/8" (60 mm)
* Approximate measurements for comparison only.	

Included components:	
Cut-out template	1099425-7
Under-mount sink kit 23" (584 mm)	1054375

Installation Notes

Install this product according to the installation guide.



Product Diagram