

ANGLE SUPPLY WITH STOP
K-7637

ALSO K-7638, K-7639

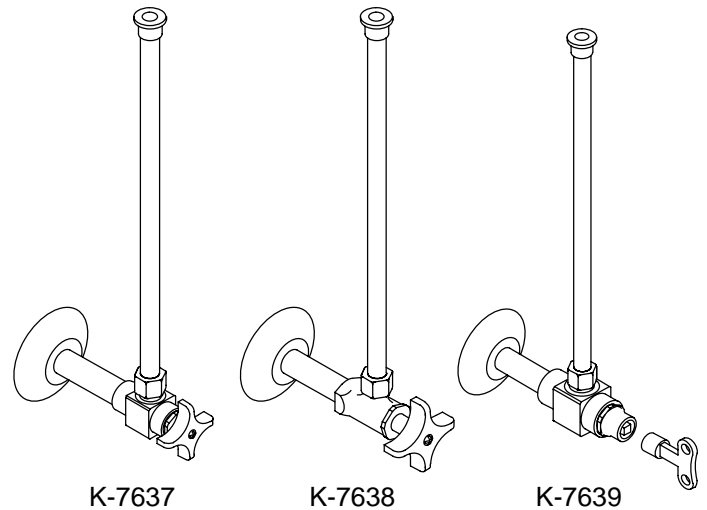
FEATURES

- Brass construction
- Compression valve
- Vertical metal supply tube with flange
- Flange

CODES/STANDARDS APPLICABLE

Specified model meets or exceeds the following:

- ASME/ANSI A112.18.1M
- IAPMO/UPC listed



COLORS/FINISHES

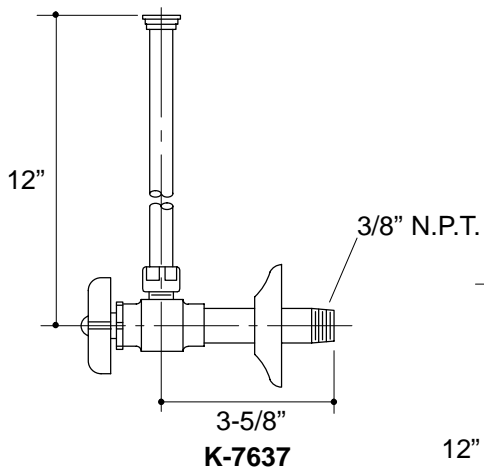
- CP Polished Chrome
- PB Polished Brass
- Other Refer to Faucets Price Book for additional finishes

SPECIFIED MODEL:

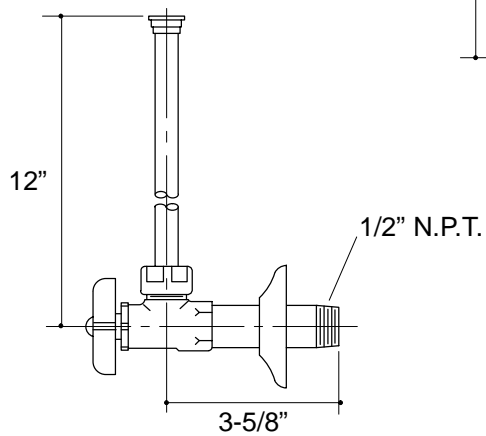
Model	Description			
K-7637	3/8" N.P.T. Connection and Four-Arm Handle Stop	<input type="checkbox"/> CP	<input type="checkbox"/> PB	<input type="checkbox"/> Other_____
K-7638	1/2" N.P.T. Connection and Four-Arm Handle Stop	<input type="checkbox"/> CP	<input type="checkbox"/> PB	<input type="checkbox"/> Other_____
K-7639	3/8" N.P.T. Connection and Loose Key Stop	<input type="checkbox"/> CP		

PRODUCT SPECIFICATION:

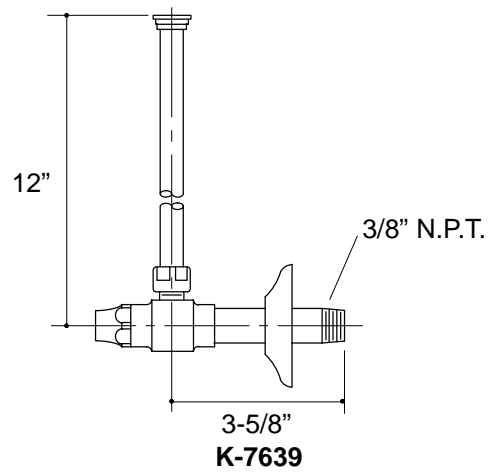
Angle supply with stop shall be of brass construction. Product shall feature a compression valve. Product shall include flange, nipple, and vertical metal supply tube with flange. Optional features shall be four-arm handle or loose key stops, and 3/8" or 1/2" N.P.T. connections. Supply (single) shall be Kohler Model K-_____-_____-_____.



K-7637



K-7638



K-7639

.5<122

PRODUCT DIAGRAM