

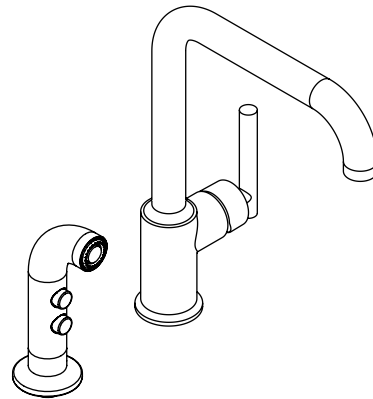
**KITCHEN SINK FAUCET
K-7507**

ALSO K-7508, K-7509, K-7511

ADA

Features

- Metal construction
- One-piece, self-contained ceramic disc valve allows both volume and temperature control
- Temperature memory allows faucet to be turned on and off at any temperature setting
- Flexible connections for easy installation
- Available with or without matching finish sidespray
- 360° spout rotation with 8-7/8" (22.5 cm) or 7-3/8" (18.7 cm) clearance below the spout
- Single-hole mounting
- Available with 8" (20.3 cm) or 6" (15.2 cm) swing spout reach
- Optional aerator kits available
- 1.8 gallons (6.8 L) per minute maximum flow rate
- Meets CalGreen requirements for kitchen faucets



Codes/Standards Applicable

Specified model meets or exceeds the following at date of manufacture:

- ADA
- ICC/ANSI A117.1
- ASME A112.18.1/CSA B125.1
- Energy Policy Act of 1992
- NSF 61
- All applicable US Federal and State material regulations

Colors/Finishes

- CP: Polished Chrome
- Other: Refer to Price Book for additional colors/finishes

Accessories

- NA: None applicable

Specified Model

Model	Description	Colors/Finishes	
K-7507	Kitchen sink faucet – 8" (20.3 cm) swing spout reach, without sidespray	<input type="checkbox"/> CP	<input type="checkbox"/> Other ____
K-7508	Kitchen sink faucet – 8" (20.3 cm) swing spout reach, with sidespray (shown)	<input type="checkbox"/> CP	<input type="checkbox"/> Other ____
K-7509	Kitchen sink faucet – 6" (15.2 cm) swing spout reach, without sidespray	<input type="checkbox"/> CP	<input type="checkbox"/> Other ____
K-7511	Kitchen sink faucet – 6" (15.2 cm) swing spout reach, with sidespray	<input type="checkbox"/> CP	<input type="checkbox"/> Other ____

Product Specification

The kitchen sink faucet shall be made of metal construction. Product shall feature a 1.8 gallon (6.8 L) per minute maximum flow rate. Product shall feature a one-piece, self-contained ceramic disc valve, which allows both volume and temperature control. Product shall feature temperature memory, allowing the faucet to be turned on and off at any temperature setting. Product shall feature 360° spout rotation with 8-7/8" (22.5 cm) or 7-3/8" (18.7 cm) clearance below the spout, and flexible connections for easy installation. Product shall be for single-hole mounting. Product shall be available with an 8" (20.3 cm) or 6" (15.2 cm) swing spout reach. Product shall be available with or without matching finish sidespray. Product shall be available with optional aerator kits. Product shall meet CalGreen requirements for kitchen faucets. Kitchen faucet shall be Kohler Model K-____-____.

PURIST®

Optional Accessories

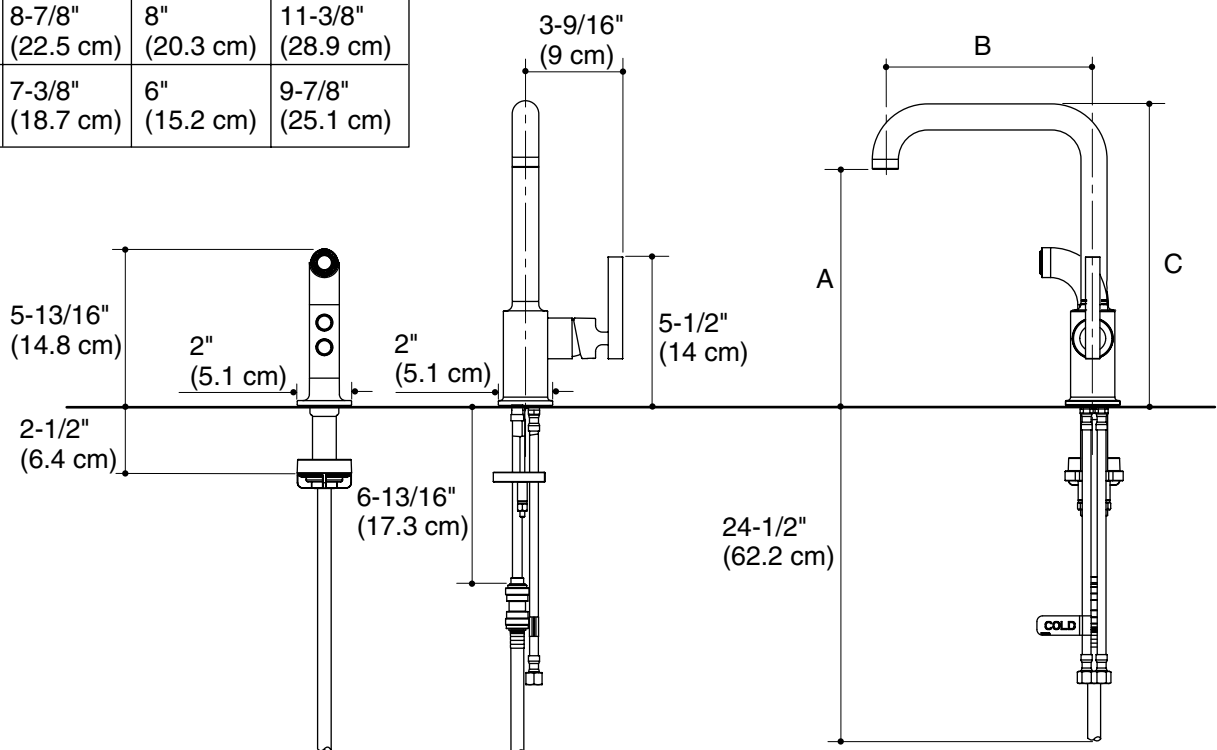
1030920	Sidespray deep roughing-in kit	<input type="checkbox"/> NA
1088956	Aerator kit – 2.2 gpm (8.3 lpm)	<input type="checkbox"/> NA
1089003	Low flow aerator kit – 1.5 gpm (5.7 lpm)	<input type="checkbox"/> NA

Installation Notes

Install this product according to the installation guide.

ADA compliant when installed to the specific requirements of the regulation.

Model	A	B	C
K-7507 K-7508	8-7/8" (22.5 cm)	8" (20.3 cm)	11-3/8" (28.9 cm)
K-7509 K-7511	7-3/8" (18.7 cm)	6" (15.2 cm)	9-7/8" (25.1 cm)



Product Diagram