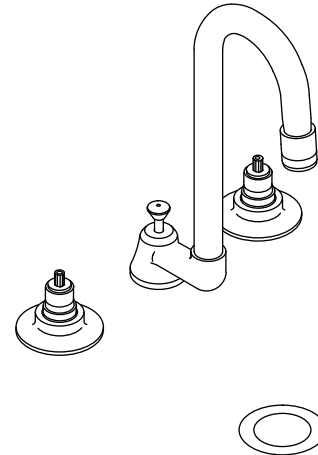


**BATHROOM SINK BASE FAUCET  
K-7465-K**

**Features**

- Brass construction
- Brass valve bodies
- Quarter-turn washerless ceramic disc valves
- 2.0 gallons (7.6 L) per minute flow rate [max at 60 psi (4.14 bar)]
- Pop-up drain with lift rod and tailpiece
- 8" (203 mm) rigid connections
- Variety of handle style options
- 5-3/4" (146 mm) gooseneck spout

**ADA** **CSA B651** **OBC**



**Codes/Standards Applicable**

Specified model meets or exceeds the following:

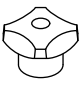
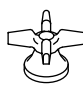
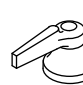

- ADA
- CSA B651
- OBC
- ASME A112.18.1/CSA B125.1
- Energy Policy Act of 2005

**Colors/Finishes**

- CP: Polished Chrome

**Specified Model**

Model	Description	Colors/Finishes
K-7465-K	Triton bathroom sink faucet with standard aerator but without handles	<input type="checkbox"/> CP

Required Accessories (Includes Two Handles)					
K-16012-2	Triton standard handles	<input type="checkbox"/> CP			
K-16012-3	Triton cross handles		<input type="checkbox"/> CP		
K-16012-4	Triton lever handles			<input type="checkbox"/> CP	
K-16012-5	Triton wristblade lever handles				<input type="checkbox"/> CP

**Product Specification**

Two-handle widespread bathroom sink base faucet shall be of brass construction. Faucet shall feature brass valve bodies. Faucet shall feature quarter-turn washerless ceramic disc valves, assuring positive handle stop positioning. Product shall include 8" (203 mm) rigid connections, 5-3/4" (146 mm) gooseneck spout, and pop-up drain with lift rod and tailpiece. Base faucet shall be Kohler Model K-7465-\_\_\_\_\_-CP with Kohler Model K-16012-\_\_\_\_\_-CP handles.

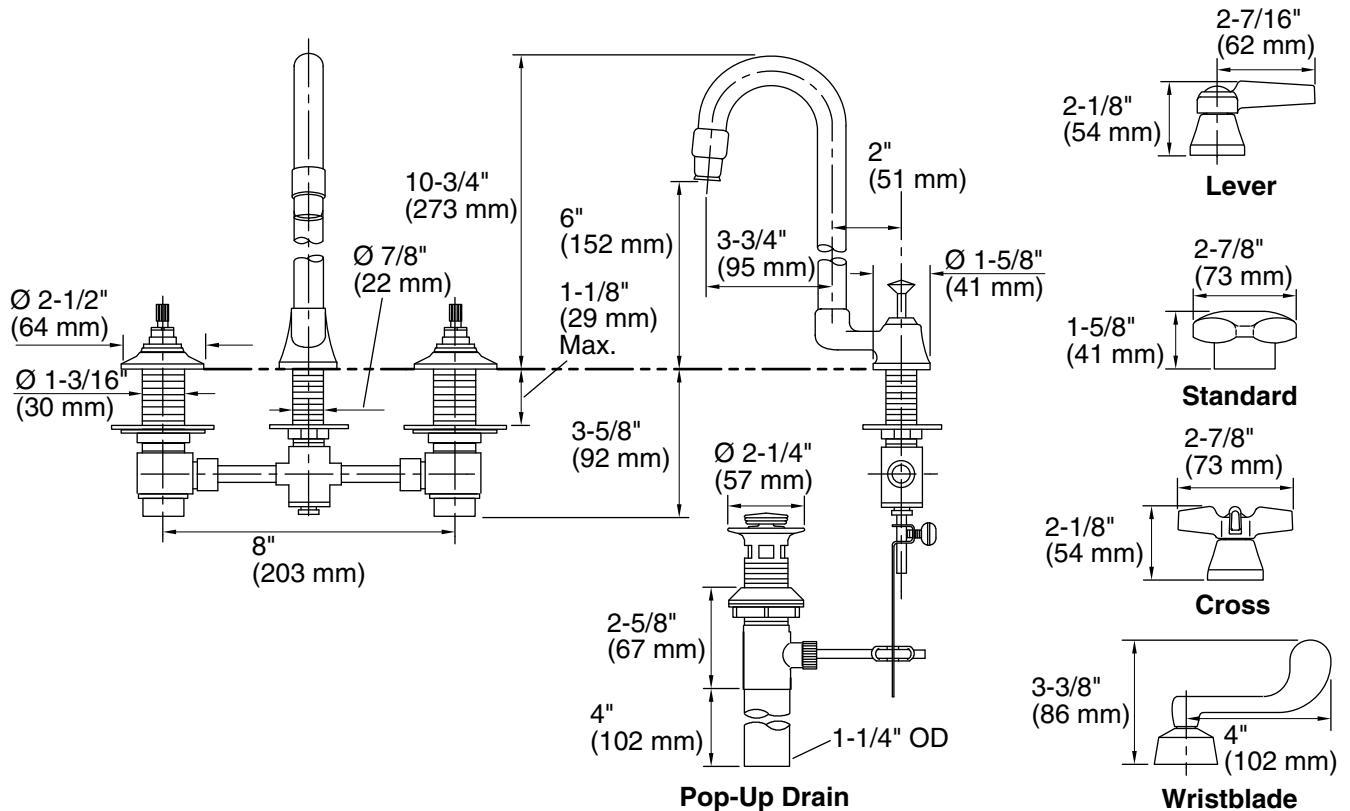
# TRITON®

Optional Accessories		
1160594	Large Spray 0.35 gpm (1.32 lpm) – Insert only	<input type="checkbox"/> NA
_____	Additional flow options are available (refer to the Price Book)	<input type="checkbox"/> NA

## Installation Notes

Install this product according to the installation guide.

**ADA, CSA B651, OBC** compliant when installed to the specific requirements of these regulations.



## Product Diagram