

LAVATORY FAUCET **K-7443-K** ALSO K-7443

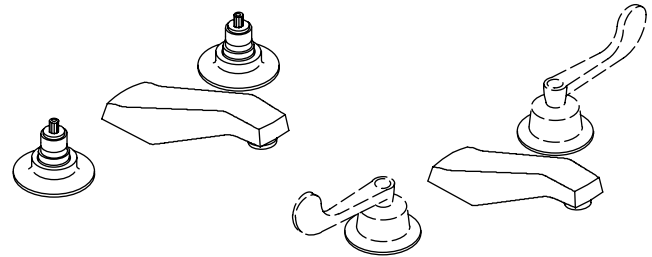
Features

- Brass construction
- Brass valve bodies
- Flexible connections for easy installation
- Quarter-turn washerless ceramic disc valves
- 5" (12.7 cm) spout
- 2.0 gallons (7.5 L) per minute
- Variety of handle style options
- Available with standard or vandal-resistant WaterGuard® aerator

Codes/Standards Applicable

Specified model meets or exceeds the following:

- ASME A112.18.1
- CSA B125
- IAPMO/UPC
- NSF 61
- Energy Policy Act of 1992 (EPACT)
- ADA



K-7443-K

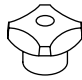



K-7443

Colors/Finishes

- CP: Polished Chrome

Specified Model

Model	Description	Colors/Finishes
K-7443-K	Triton™ lavatory faucet with standard aerator but without handles	<input type="checkbox"/> CP
K-7443-KE	Triton™ lavatory faucet with vandal-resistant aerator but without handles	<input type="checkbox"/> CP
K-7443-2A	Triton™ lavatory faucet with standard handles and standard aerator	<input type="checkbox"/> CP
K-7443-5A	Triton™ lavatory faucet with wristblade lever handles and standard aerator	<input type="checkbox"/> CP

Required Accessories (Includes Two Handles)			 ADA	 ADA	 ADA
K-16012-2	Triton™ standard handles	<input type="checkbox"/> CP			
K-16012-3	Triton™ cross handles		<input type="checkbox"/> CP		
K-16012-4	Triton™ lever handles			<input type="checkbox"/> CP	
K-16012-5	Triton™ wristblade lever handles				<input type="checkbox"/> CP

Product Specification

Two-handle widespread lavatory faucet shall be of brass construction. Faucet shall feature brass valve bodies. Faucet shall feature quarter-turn washerless ceramic disc valves, assuring positive handle stop positioning. Product shall be less drain and lift rod. Product shall include 5" (12.7 cm) spout and flexible connections. Optional features shall be standard or vandal-resistant WaterGuard® aerator. Base faucet shall be Kohler Model K-7443-_____-CP with Kohler Model K-16012-_____-CP handles **OR** complete faucet shall be Kohler Model K-7443-_____-CP.

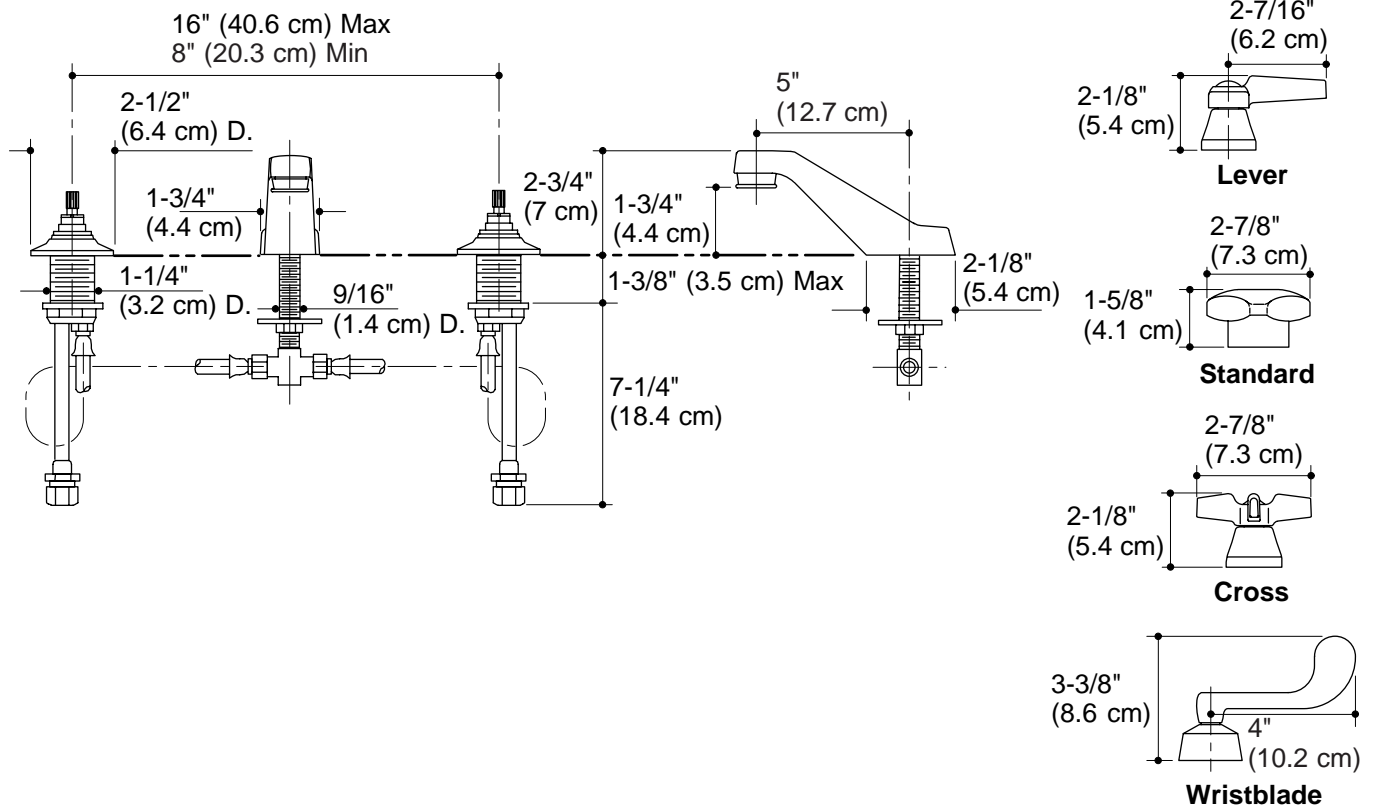
TRITON™

Technical Information

Applicable Triton™ faucet:	
Lavatory base faucet with standard aerator but without handles*	K-7443-K
Lavatory base faucet with vandal-resistant aerator but without handles*	K-7443-KE
Lavatory faucet with standard handles and standard aerator	K-7443-2A
Lavatory faucet with wristblade lever handles and standard aerator	K-7443-5A
Applicable Triton™ handles:	
Standard handles	K-16012-2
Cross handles	K-16012-3
Lever handles	K-16012-4
Wristblade lever handles	K-16012-5
* Handles must be ordered to complete faucet.	
Cross and lever handles are ADA compliant.	ADA

Installation Notes

Install this product according to the installation guide.



Product Diagram