



Iron Works®

5.5' BubbleMassage™ Bath

K-712-G47

Features

- End drain.
- Integral lumbar support.
- Includes jet trim: Almond.
- 66" (1676 mm) x 36" (914 mm) x 19-1/4" (489 mm)

Material

- Cast iron with Safeguard® finish.

Hydrotherapy

- 43 BubbleMassage™ airjets. 18 levels of massage intensity.
- Zones of Control feature allows you to target massage to back, midsection, or feet.
- Automatic purge cycles remove residual water from air channels after use.
- Built-in 300 W heater.
- Lighted keypad control.

Installation

- Drop-in

Recommended Accessories

- K-1172 Adjustable Feet
- K-1491 Bath/Whirlpool Pillow
- K-1601 Bath/Whirlpool Footstop
- K-1705 Whirlpool/BubbleMassage™ Remote Control
- K-7259 Clearflo Bath Drain
- K-9498 3" Keypad Trim



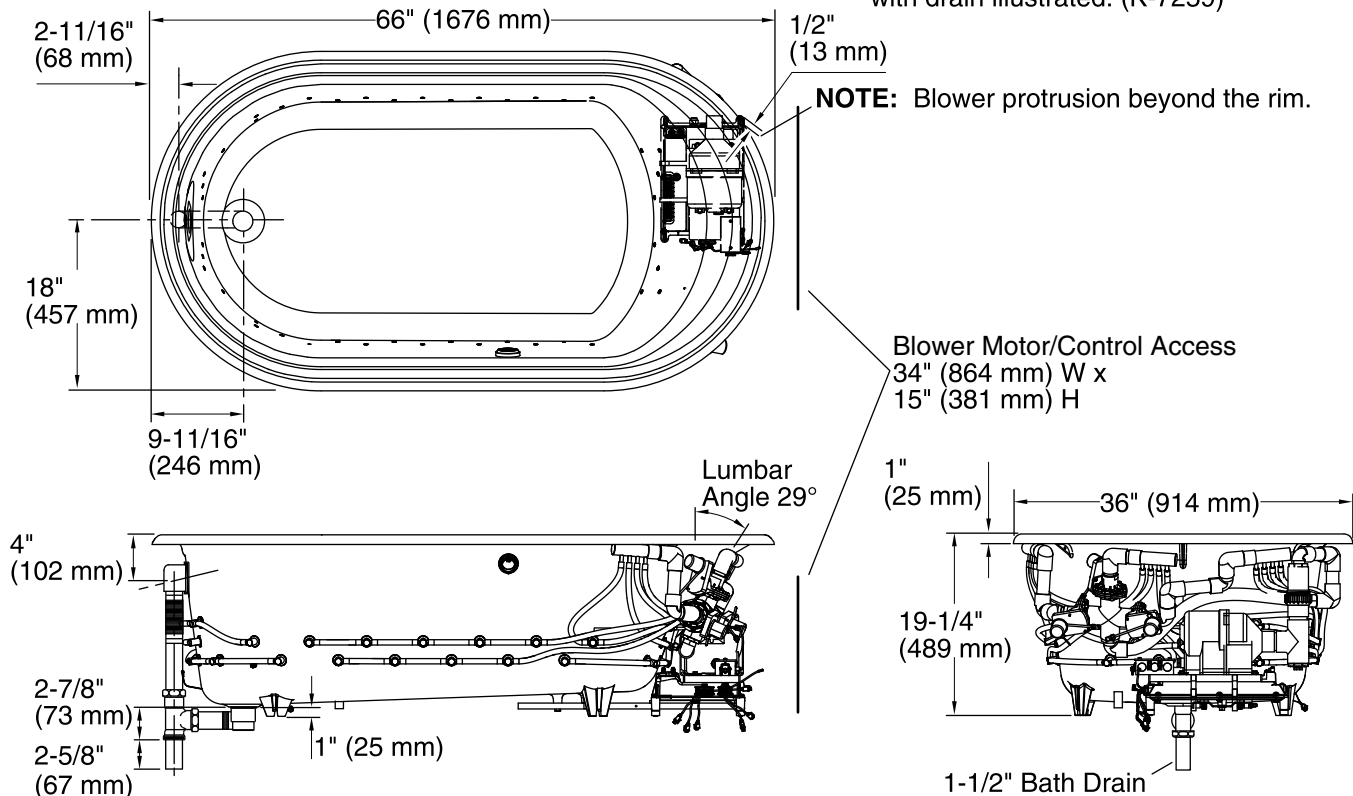
Codes/Standards

- ASME A112.19.1/CSA B45.2
- ASME A112.19.7/CSA B45.10
- ASTM F462
- ASTM F462
- UL 1795
- CSA C22.2 No. 218.2
- CARB P2

KOHLER® Lifetime Limited Warranty for Cast Iron Components

See website for detailed warranty information.

No change in measurements if connected with drain illustrated. (K-7259)



Required Electrical Service

One dedicated circuit required, protected with Class A Ground-Fault Circuit-Interrupter (GFCI) or Residual Current Device (RCD).

Blower: 240 V, 15 A, 50/60 Hz

Technical Information

All product dimensions are nominal.

Installation:	Drop-in
Drain location:	End
Basin area, bottom:	47-1/2" x 25" (1207 mm x 635 mm)
Basin area, top:	55" x 29" (1397 mm x 737 mm)
Weight:	500 lbs (226.8 kg)
Minimum floor load:	65 lbs/ft ² (317.4 kg/m ²)
Water depth:	12-5/8" (321 mm)
Water capacity:	64 gal (242.3 L)
Template:	Drop-in, 88051-7, required, included
Electrical component rating:	Blower: 240 V, 5 A, 50/60 Hz
Blower speed:	Variable
Minimum flat for door:	0" (0 mm)

Notes

Measure your actual product for rough-in details.

Install this product according to the installation instructions.

The hot water supply should be 70% of the capacity of the bath or greater. Installations will vary.

If relocating the blower motor, do not relocate or alter the PVC tee or coiled flexible tubing connected to the blower. Follow the blower relocation instructions exactly. Provide access for servicing the blower.