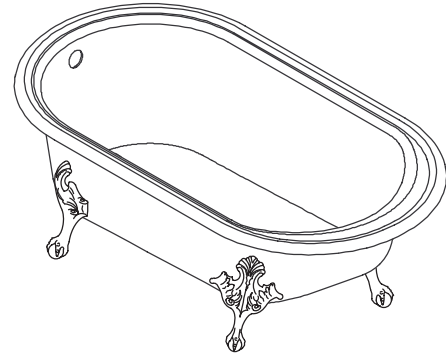


FEATURES

- 66" (167.6cm) x 36" (91.4cm) x 24-1/2" (62.2cm) (height with feet)
- Cast iron with Safeguard® finish
- Optional K-1491 pillow



CODES/STANDARDS APPLICABLE

Specified model meets or exceeds the following:

- ASME/ANSI A112.19.1M
- IAPMO/UPC

COLORS/FINISHES

- 0 White
- 47 Almond
- 96 Biscuit
- Other Refer to Fixtures Price Book for additional colors

Accessories:

- CP Polished Chrome
- PB Polished Brass
- Other Refer to Faucets Price Book for additional finishes

SPECIFIED MODEL:

Model	Description	Colors/Finishes	
K-710-A	Bath with Almond exterior	<input type="checkbox"/> 47 Almond	
K-710-B	Bath with Biscuit exterior	<input type="checkbox"/> 96 Biscuit	
K-710-S	Bath with Sandbar exterior	<input type="checkbox"/> 0 White	<input type="checkbox"/> Other_____
K-710-W	Bath with white exterior	<input type="checkbox"/> 0 White	<input type="checkbox"/> Other_____

Required Accessory

K-1103	Iron Works Historic™ Claw Feet	<input type="checkbox"/> KB
--------	--------------------------------	-----------------------------

Recommended Accessories

K-7178	Drain OR	<input type="checkbox"/> CP	<input type="checkbox"/> PB	<input type="checkbox"/> Other_____
K-7104	Drain for use with Antique™ or IV Georges Brass™ faucet	<input type="checkbox"/> CP	<input type="checkbox"/> PB	<input type="checkbox"/> Other_____

Optional Accessories

K-1491	Pillow	<input type="checkbox"/> 0 White	<input type="checkbox"/> Other_____
--------	--------	----------------------------------	-------------------------------------

PRODUCT SPECIFICATION:

Bath shall be 66" (167.6cm) in length, 36" (91.4cm) in width, and 24-1/2" (62.2cm) in height with feet. Bath shall be made of cast iron with Safeguard® finish. Bath shall have optional K-1491 pillow. Bath shall be Kohler Model K-710-_____.

IRON WORKS HISTORIC™ BATH

PRODUCT INFORMATION

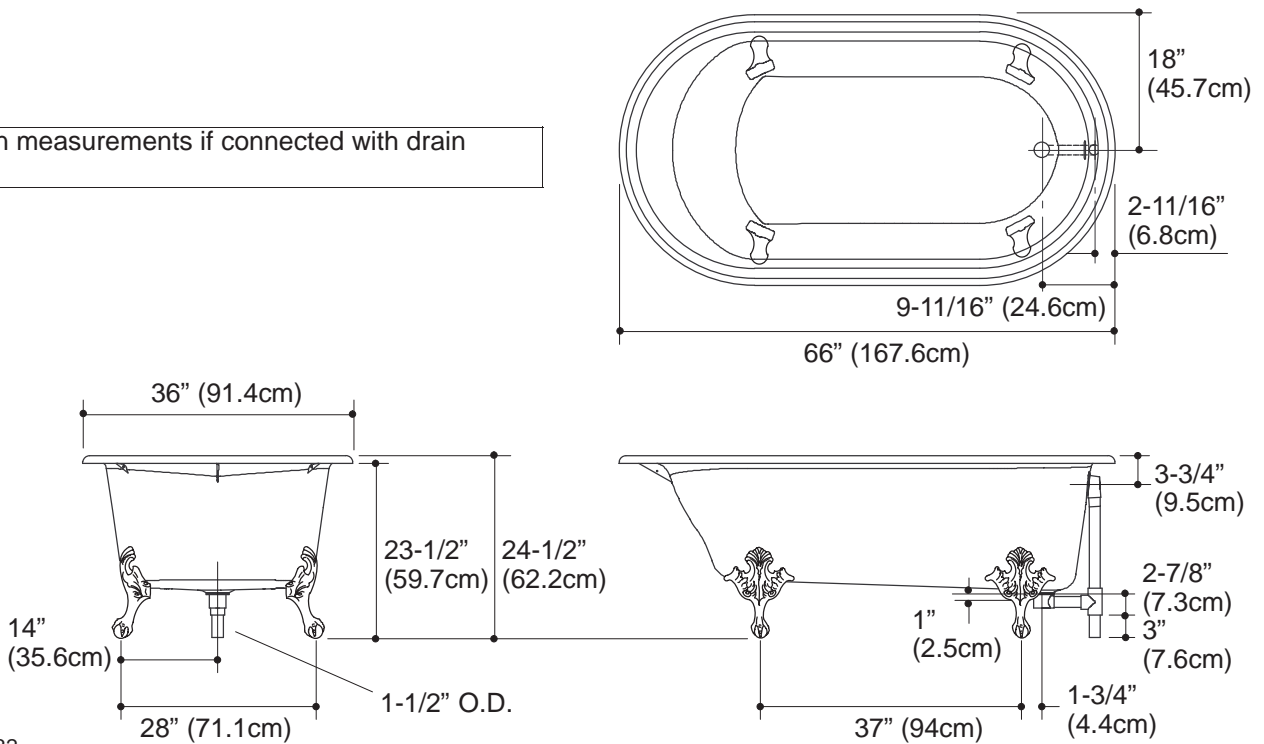
Fixture*:	basin area	top area	weight
Bathing well	47-1/2" (120.7cm) x 25" (63.5cm)	55" (139.7cm) x 29" (73.7cm)	375 lbs. (170.1kg)
	water depth	capacity	
To overflow	12-5/8" (32.1cm)	64 gals. (242.2 L)	

* Approximate measurements for comparison only.

INSTALLATION NOTES

Floor support under bath must provide for a minimum of 80 lbs./square foot (390 Kg./square meter) loading.

No change in measurements if connected with drain illustrated.



1.25>132

PRODUCT DIAGRAM