

### Features

- Frameless design highlights showering area.
- No top header eliminates clearance issues.
- Frameless, 1/4" (6 mm) thick Crystal Clear tempered glass.
- 3/8" (10 mm) tempered glass sidelite.
- Solid brass inside and outside rectangular handles complete the look of this door.
- CleanCoat® technology creates a barrier between the water and glass to help keep your shower door looking new.
- Coordinates with Purist® Suite.

### Material

- Anodized aluminum prevents rusting or corrosion.
- Tempered glass ensures maximum safety and durability.

### Installation

- Out-of-plumb adjustability allows for simpler installation.
- Can be installed to open to the left or right.

### Components

Additional included component/s: Hardware kit.



### Codes/Standards

CPSC 16CFR 1201  
ANSI Z97.1 (Tempered Glass)

### KOHLER® One-Year Limited Warranty

See website for detailed warranty information.

### Available Color/Finishes

*Color tiles intended for reference only.*

| Color | Code | Description |
|-------|------|-------------|
|-------|------|-------------|

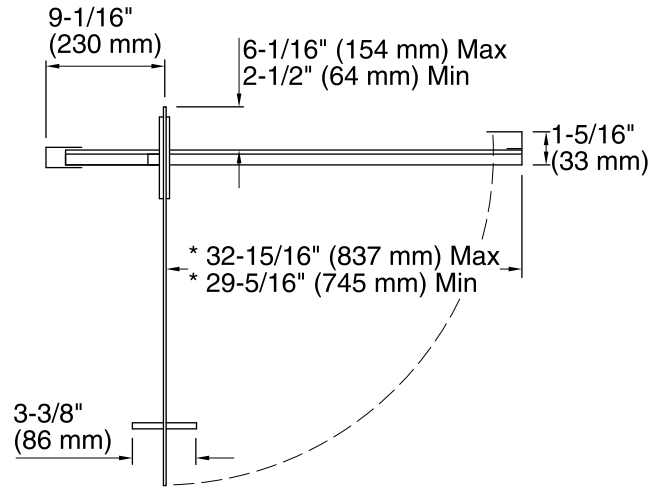
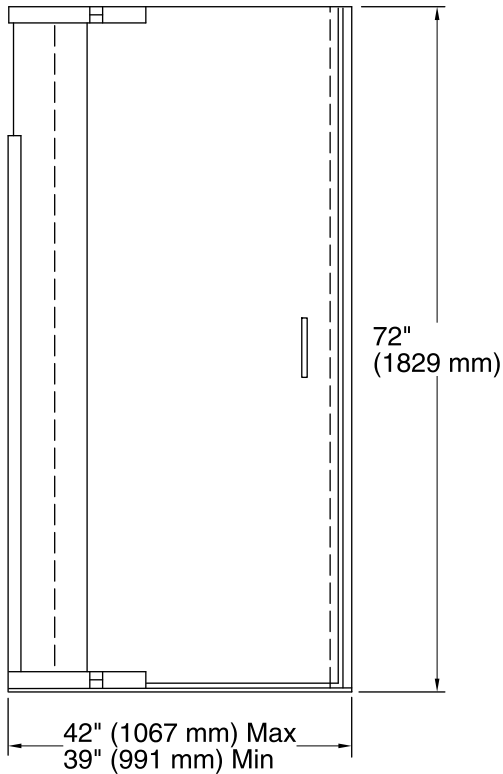


|    |               |
|----|---------------|
| SH | Bright Silver |
| BN |               |

### Available Glass Options

| Code | Description |
|------|-------------|
|------|-------------|

|   |               |
|---|---------------|
| L | Crystal Clear |
|---|---------------|



### \* Walk-Through

**Note:** A minimum of 1-1/2" (38 mm) open area above the height of the door, 72" (1829 mm), is required for side panel and door installation.

### Technical Information

All product dimensions are nominal.

|                      |                              |
|----------------------|------------------------------|
| Installation type:   | For shower base installation |
| Opening style:       | Pivot                        |
| Opening Width - Min: | 39" (991 mm)                 |
| Opening Width - Max: | 42" (1067 mm)                |
| Walk-through - Min:  | 29-5/16" (745 mm)            |
| Walk-through - Max:  | 32-15/16" (837 mm)           |
| Glass thickness:     | 1/4" (6 mm)                  |
| Glass coating:       | CleanCoat®                   |

### Notes

Measure your actual product for roughing-in details.

The vertical opening should be a minimum of 73-1/2" (1867 mm) to allow for installation clearance.