

KOHLER® Roughing-In

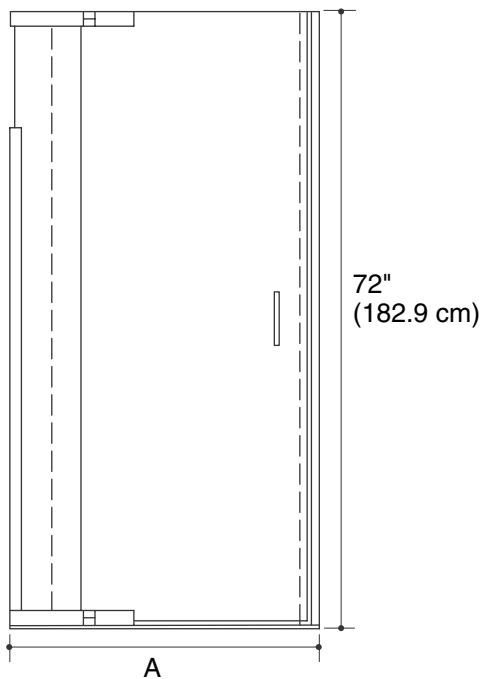
K-702010, K-702011, K-702012, K-702013
PURIST®
PIVOT SHOWER DOORS

Product Information

Applicable product:	
Pivot shower door	K-702010
Pivot shower door	K-702011
Pivot shower door	K-702012
Pivot shower door	K-702013

Installation Notes

Install this product according to the installation guide.



	A	B
K-702010	30" (76.2 cm) 33" (83.8 cm)	20-5/16" (51.6 cm) Min 23-15/16" (60.8 cm) Max
K-702011	33" (83.8 cm) 36" (91.4 cm)	23-5/16" (59.2 cm) Min 26-15/16" (68.4 cm) Max
K-702012	36" (91.4 cm) 39" (99.1 cm)	26-5/16" (66.8 cm) Min 29-15/16" (76 cm) Max
K-702013	39" (99.1 cm) 42" (106.7 cm)	29-5/16" (74.5 cm) Min 32-15/16" (83.7 cm) Max

Note: A minimum of 1-1/2" (3.8 cm) open area above the height of the door, 72" (182.9 cm), is required for side panel and door installation.

