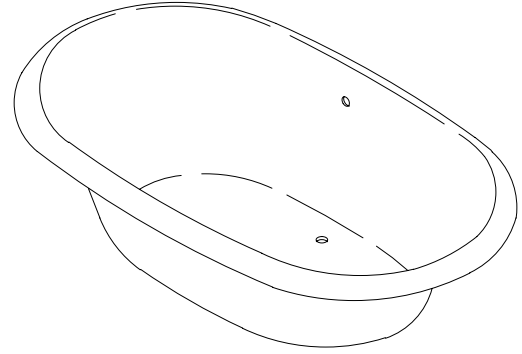


FEATURES

- 72" (182.9cm) x 42" (106.7cm) x 21-3/16" (53.8cm) (drop-in)
- 72" (182.9cm) x 42" (106.7cm) x 24" (61cm) (free-standing with base)
- Cast iron with Safeguard® finish
- Installed as drop-in or free-standing unit



CODES/STANDARDS APPLICABLE

Specified model meets or exceeds the following:

- ASME/ANSI A112.19.1M
- IAPMO/UPC
- Canadian Standards Association (CSA)
- State of Massachusetts

COLORS/FINISHES

- 0 White
- Other Refer to Fixtures Price Book for additional colors

Accessories:

- CP Polished Chrome
- PB Polished Brass
- WA Natural Ash
- WB Golden Oak
- WC Dark Walnut
- Other Refer to Faucets Price Book for additional finishes
- NA None Applicable

SPECIFIED MODEL:

Model	Description	Colors/Finishes	
K-700	Drop-in or free-standing bath	<input type="checkbox"/> 0 White	<input type="checkbox"/> Other_____

Required Accessories			
K-1172	Adjustable feet (for free-standing bath)		<input type="checkbox"/> NA
K-705	Wood base (for free-standing bath) OR	<input type="checkbox"/> WA	<input type="checkbox"/> WB
K-709	Ceramic base (for free-standing bath)	<input type="checkbox"/> 0 White	<input type="checkbox"/> Other_____
Recommended Accessories			
K-7158	Vintage™ drain for drop-in OR	<input type="checkbox"/> CP	<input type="checkbox"/> PB
K-7159	Vintage™ drain for free-standing	<input type="checkbox"/> CP	<input type="checkbox"/> PB
			<input type="checkbox"/> Other_____

PRODUCT SPECIFICATION:

The bath shall be 72" (182.9cm) in length, 42" (106.7cm) in width, and 21-3/16" (53.8cm) in height (drop-in) or 72" (182.9cm) in length, 42" (106.7cm) in width, and 24" (61cm) in height (free-standing). Bath shall be made of cast iron with Safeguard® finish. Bath shall be installed as drop-in or free-standing unit. Bath shall be Kohler Model K-700-_____.

PRODUCT INFORMATION

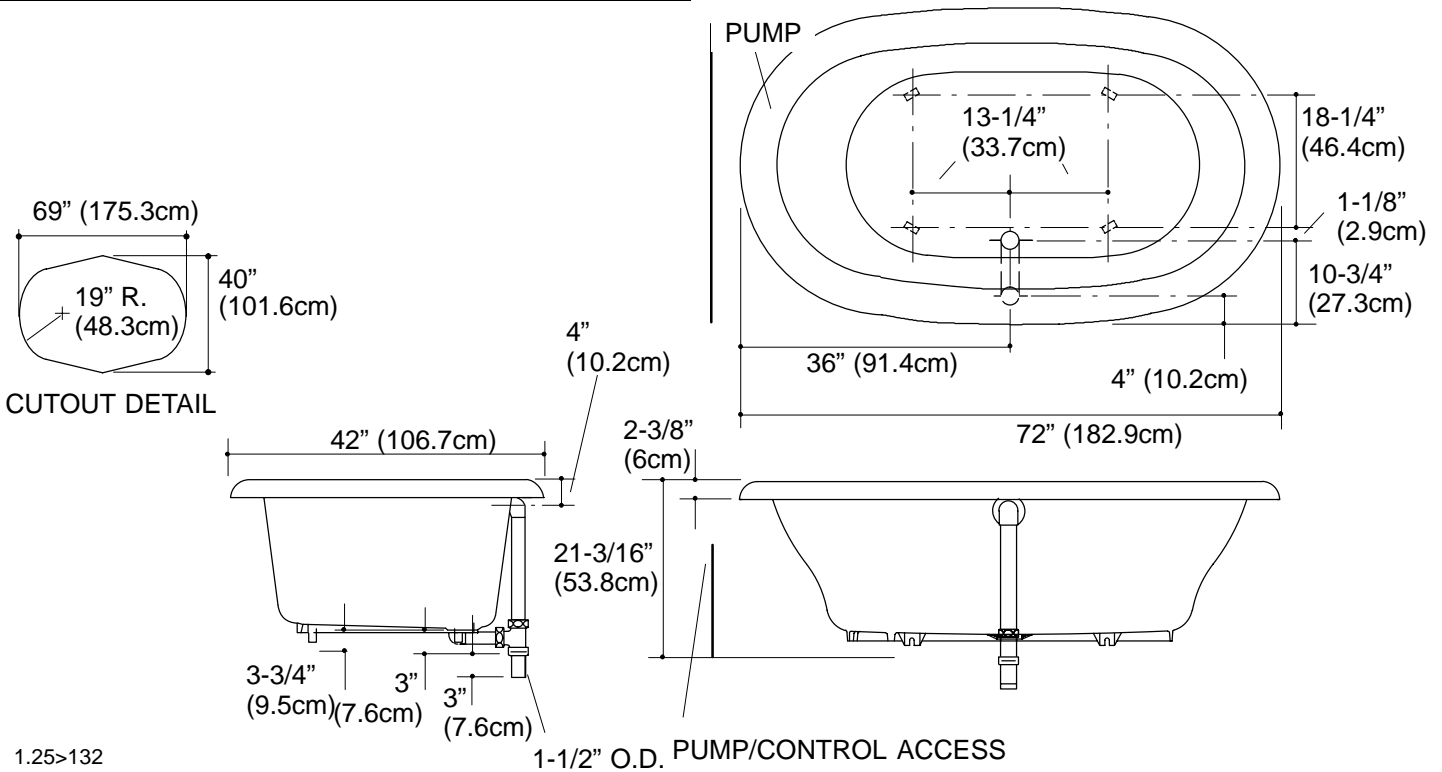
Fixture*:	basin area	top area	weight
Bathing well	44" (111.8cm) x 24" (61cm)	60" (152.4cm) x 32" (81.3cm)	485 lbs. (220kg)
	water depth	capacity	
To overflow	15" (38.1cm)	82 gal. (310.4L)	
* Approximate measurements for comparison only.			
Included Components:			
Cutout template	106594-7		

INSTALLATION NOTES

NOTICE: Unless otherwise specified, floor support under bath must provide for a minimum of 80 lbs./square foot (390 Kg./square meter) loading.

Roughing-In Notes

No change in measurements if connected with drain illustrated.



1.25>132

PRODUCT DIAGRAM