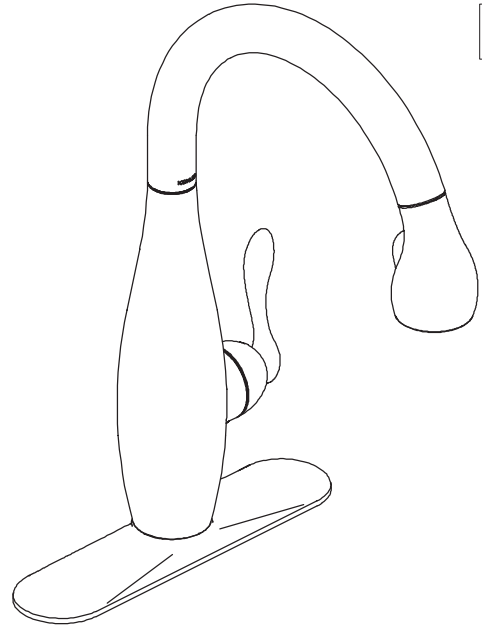


**KITCHEN SINK FAUCET
K-692**

FEATURES

- Metal construction
- One-piece self-contained ceramic disc valve allows both volume and temperature control
- Temperature memory allowing faucet to be turned on and off at any temperature setting
- High-temperature limit stop
- Swing spout with integral pulldown spray and retractable hose
- 2.2 gallons (8.3L) per minute [Max. @ 60 psi (4Kg/cm²)]
- Lever handle
- Touch control stream-to-spray adjustment
- Integral vacuum breaker
- 10-1/2" (26.7cm) Escutcheon plate for three-hole installations

ADA



CODES/STANDARDS APPLICABLE

Specified model meets or exceeds the following:

- ASME/ANSI A112.18.1M
- CSA International B125
- Energy Policy Act of 1992
- IAPMO/UPC listed
- NSF 61
- Listed in the State of Wisconsin

COLORS/FINISHES

- CP Polished Chrome
- BN Brushed Nickel
- Other Refer to Faucets Price Book for additional finish

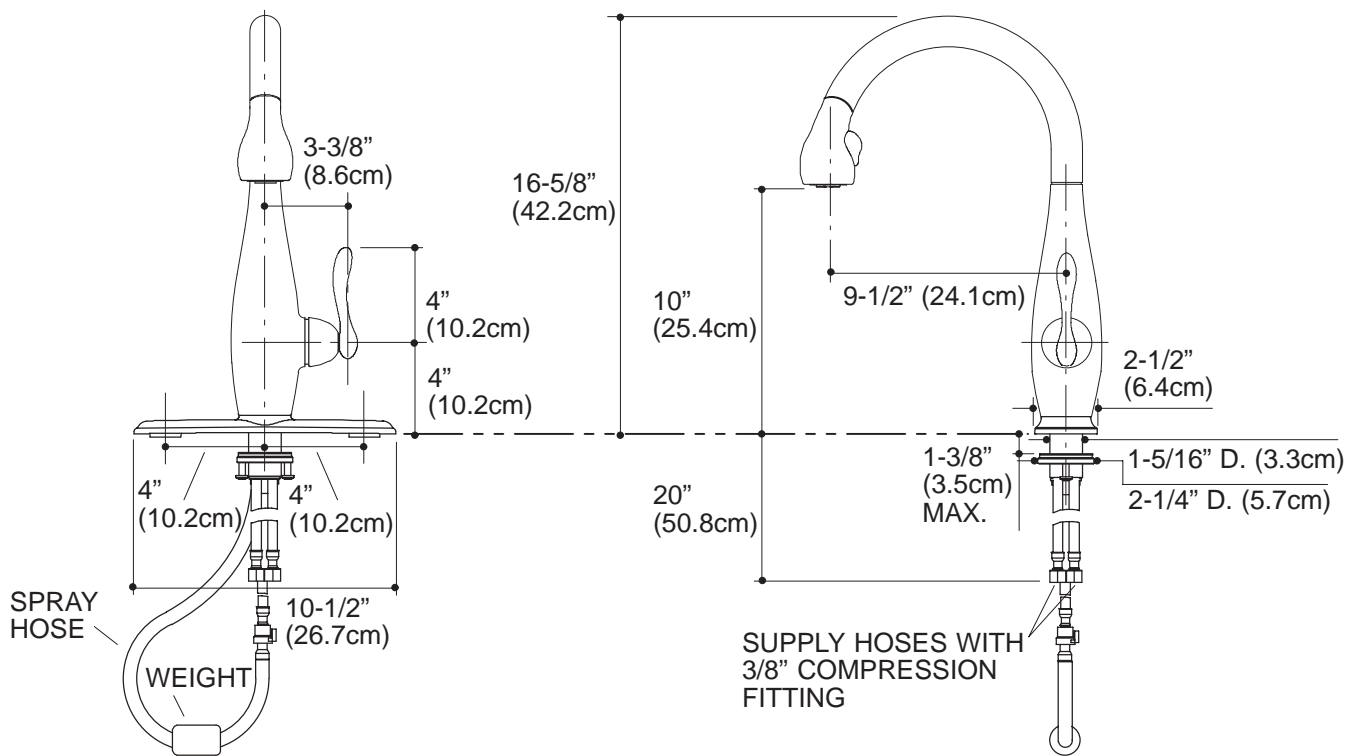
SPECIFIED MODEL:

Model	Description	<input type="checkbox"/> CP	<input type="checkbox"/> BN	<input type="checkbox"/> Other_____
K-692	Clairette™ Kitchen Faucet			

Optional Accessory			
1012715	Deep Rough-In kit (requires 1-7/16" D. (3.7cm)–1-1/2" D. (3.8cm) holes to accommodate 1-3/8" (3.5cm)–3-3/8" (8.6cm) thick installations)		<input type="checkbox"/> NA

PRODUCT SPECIFICATION:

Single-control pull-down spray kitchen sink faucet shall be of metal construction. The valve shall be a one-piece, self-contained ceramic disc valve, and allows both volume and temperature control. The valve shall feature temperature memory, allowing the faucet to be turned on and off at any temperature setting, and includes a high-temperature limit stop. Faucet shall also feature stream-to-spray touch control. Product shall include 9-1/2" (24.1cm) swing spout with integral sprayhead and hose, lever handle, integral vacuum breaker, and 10-1/2" (26.7cm) escutcheon plate. Faucet shall be Kohler Model K-692.



18

PRODUCT DIAGRAM