

## Features

- Fits in the large bowl of the K-6625 Iron/Tones Smart Divide® kitchen sink.
- Durable stainless-steel construction.
- Helps protect sink surface from daily wear.
- Dishwasher safe.
- Rubber feet provide added protection.

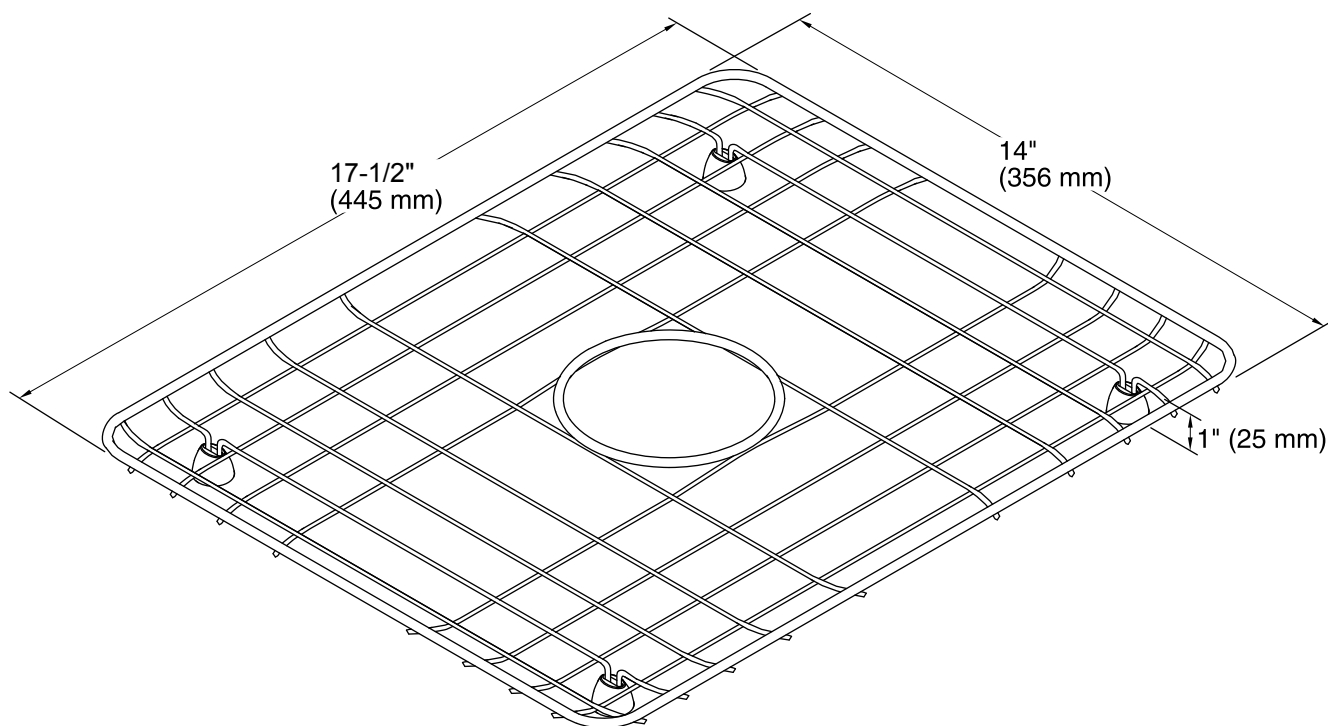


## Codes/Standards

None Applicable

## KOHLER® One-Year Limited Warranty

See website for detailed warranty information.



## Technical Information

All product dimensions are nominal.