

**KITCHEN SINK FAUCET
K-6127**

ADA

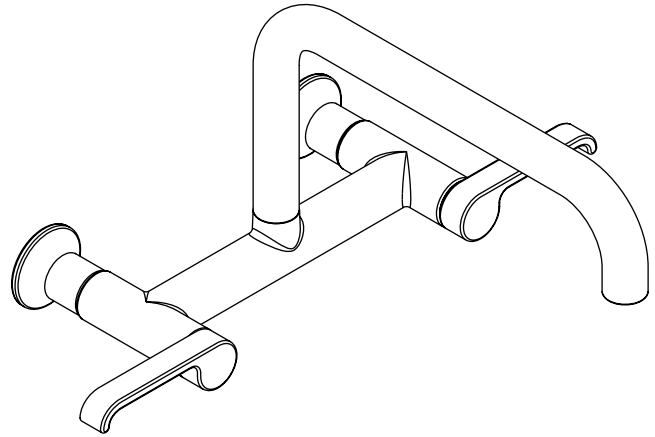
Features

- Metal construction
- Two quarter-turn washerless ceramic disc valves
- 360° swing spout
- For 8" (20.3 cm) centers
- ADA compliant lever handles
- Lower flow aerator options are available (refer to the Kohler Price Book)
- 2.2 gallons (8.3 L) per minute maximum flow rate
- 10-3/4" (27.3 cm) spout reach
- Contemporary styling

Codes/Standards Applicable

Specified model meets or exceeds the following:

- ADA
- IAPMO/cUPC
- ASME A112.18.1/CSA B125.1
- NSF 61
- Energy Policy Act of 1992



Colors/Finishes

- CP: Polished Chrome
- Other: Refer to Price Book for additional colors/finishes

Specified Model:

Model	Description	Colors/Finishes
K-6127-4	Wall-mount kitchen sink faucet – lever handles	<input type="checkbox"/> CP <input type="checkbox"/> Other _____

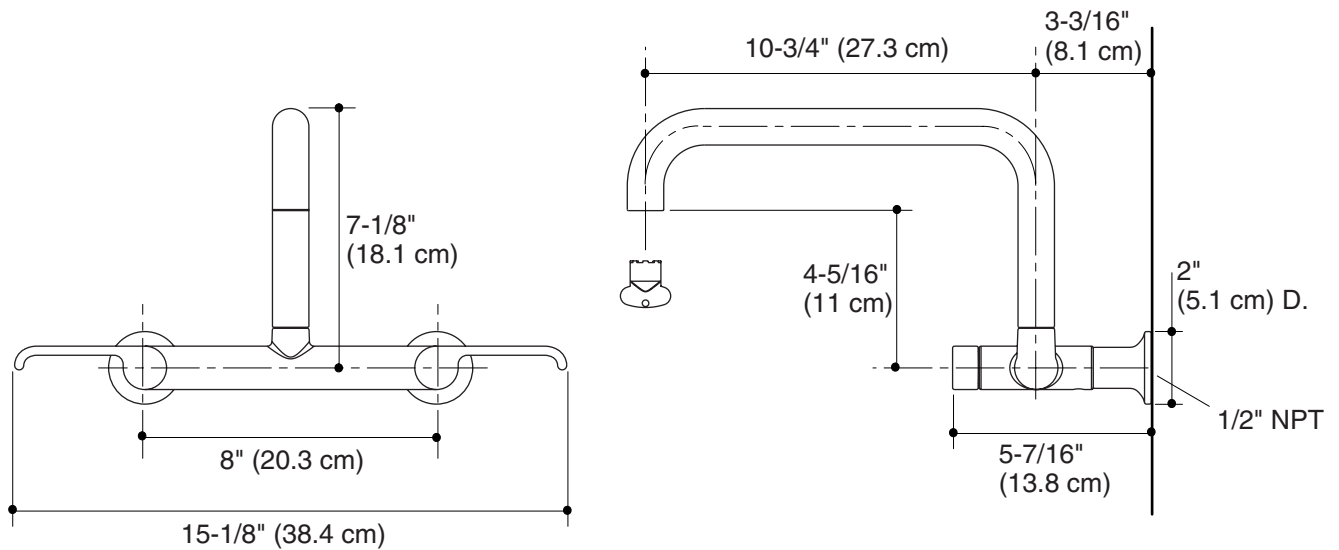
Product Specification

The contemporary two-handle wall-mount kitchen sink faucet shall be constructed of metal. Faucet shall feature two quarter-turn washerless ceramic disc valves, assuring positive handle stop positioning. Faucet shall have feature a 10-3/4" (27.3 cm) spout reach, 360° swing spout, and ADA compliant lever handles. Faucet shall be for 8" (20.3 cm) centers. Faucet shall have a flow rate of 2.2 gpm (8.3 lpm) with lower flow aerator options available (see Kohler Price Book). Faucet shall be Kohler Model K-6127-4-_____.

TORQ™

Installation Notes

Install this product according to the installation guide.



Product Diagram