

TOP-MOUNT BAR SINK K-6015

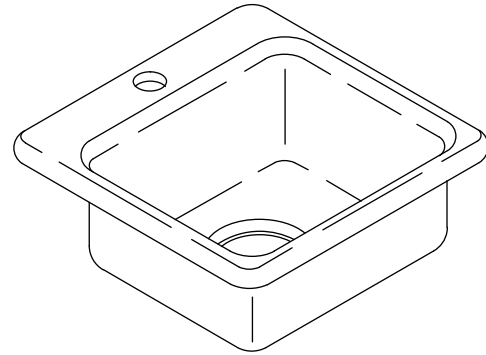
Features

- Acrylic
- Top-mount
- Single compartment
- Single-hole (-1), 2-hole (-2), or 3-hole (-3)
- 15" (381 mm) x 15" (381 mm)

Codes/Standards Applicable

Specified model meets or exceeds the following:

- CSA B45.5/IAPMO Z124



Colors/Finishes

- 0: White
- Other: Refer to Price Book for additional colors/finishes

Accessories

- CP: Polished Chrome
- Other: Refer to Price Book for additional colors/finishes

Specified Model

Model	Description	Colors/Finishes	
K-6015-1	Top-mount bar sink – single-hole (shown)	<input type="checkbox"/> 0	<input type="checkbox"/> Other_____
K-6015-2	Top-mount bar sink – 2-hole	<input type="checkbox"/> 0	<input type="checkbox"/> Other_____
K-6015-3	Top-mount bar sink – 3-hole	<input type="checkbox"/> 0	<input type="checkbox"/> Other_____
Optional Accessories			
K-8801	Duostrainer® sink strainer	<input type="checkbox"/> CP	<input type="checkbox"/> Other_____

Product Specification

The top-mount bar sink shall be made of acrylic. Sink shall be 15" (381 mm) in length and 15" (381 mm) in width. Sink shall be single compartment. Sink shall be single-hole (-1), 2-hole (-2), or 3-hole (-3). Sink shall be Kohler Model K-6015-_____-_____.

GIMLET™

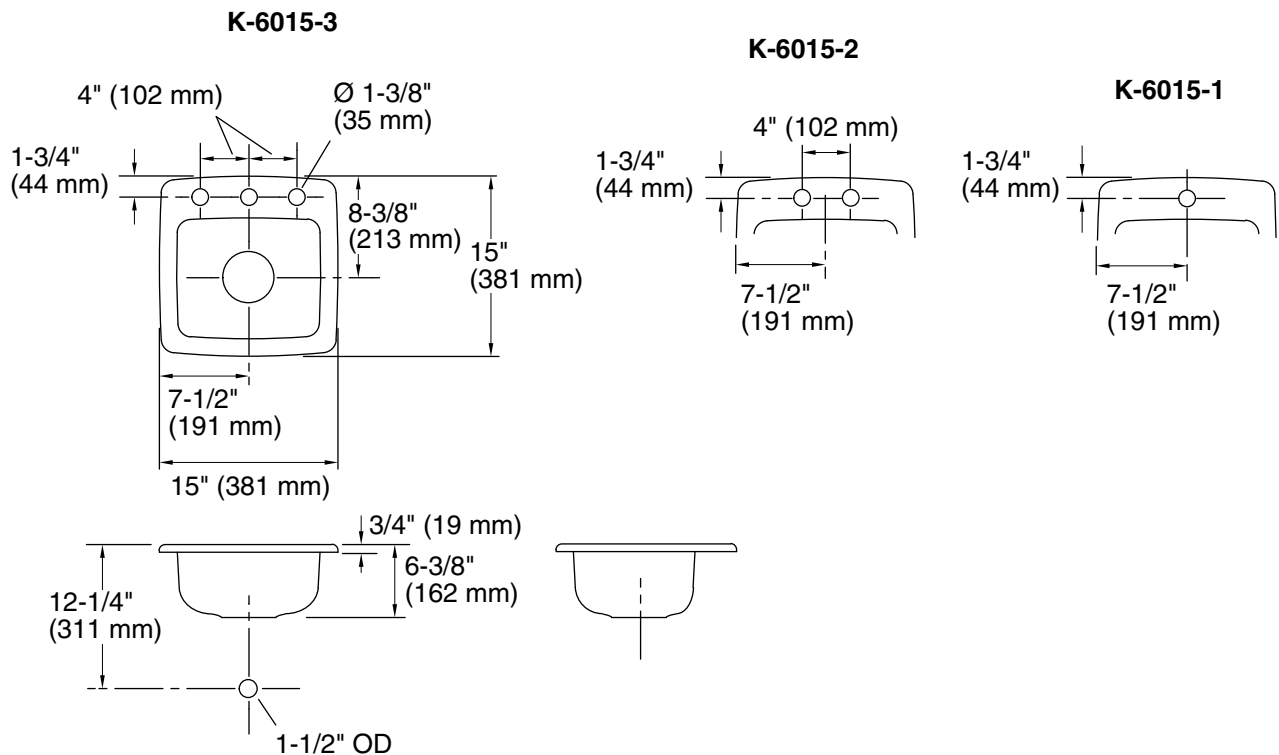
Technical Information

Fixture*:	
Bowl area	12" (305 mm) x 10" (251 mm)
Water depth	5-1/2" (140 mm)
Drain hole	Ø 3-1/2" (89 mm)
Faucet holes	Ø 1-3/8" (35 mm)
* Approximate measurements for comparison only.	

Included components:	
Adhesive sealant	63034
Cut-out template	102519-7

Installation Notes

Install this product according to the installation guide.



Product Diagram