

### Features

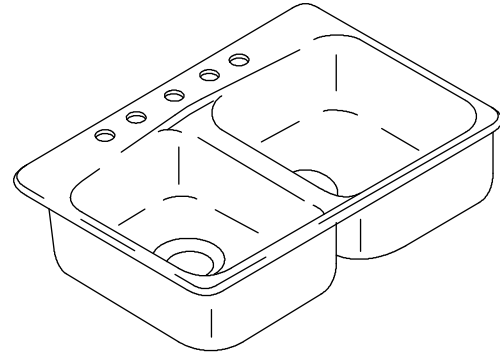
- KOHLER cast iron
- Acid-resistant enamel finish
- Double (equal) compartment
- 5-hole (-5), 4-hole (-4), or 3-hole (-3)
- 33" (838 mm) x 22" (559 mm)

## TOP-MOUNT KITCHEN SINK K-5942

### Codes/Standards Applicable

Specified model meets or exceeds the following:

- ASME A112.19.1/CSA B45.2



### Colors/Finishes

- 0: White
- Other: Refer to Price Book for additional colors/finishes

### Accessories

- CP: Polished Chrome
- NA: None applicable
- Other: Refer to Price Book for additional colors/finishes

### Specified Model

Model	Description	Colors/Finishes	
K-5942-5	Top-mount kitchen sink – 5-hole (shown)	<input type="checkbox"/> 0	<input type="checkbox"/> Other_____
K-5942-4	Top-mount kitchen sink – 4-hole	<input type="checkbox"/> 0	<input type="checkbox"/> Other_____
K-5942-3	Top-mount kitchen sink – 3-hole	<input type="checkbox"/> 0	<input type="checkbox"/> Other_____

Recommended Accessories			
K-9000	P-Trap	<input type="checkbox"/> CP	

Optional Accessories			
K-6010	Bottom bowl rack	<input type="checkbox"/> 0	<input type="checkbox"/> Other_____
K-6507	Hardwood cutting board	<input type="checkbox"/> NA	
K-6510	Wire rinse basket	<input type="checkbox"/> 0	<input type="checkbox"/> Other_____
K-8801	Duostrainer® sink strainer	<input type="checkbox"/> CP	<input type="checkbox"/> Other_____

### Product Specification

The top-mount kitchen sink shall be made of cast iron with acid-resistant enamel finish. Sink shall be top-mount with double (equal) compartment. Sink shall be 5-hole (-5), 4-hole (-4), or 3-hole (-3). Sink shall be 33" (838 mm) in length and 22" (559 mm) in width. Sink shall be Kohler Model K-5942-\_\_\_\_\_-\_\_\_\_\_.

# BROOKFIELD™

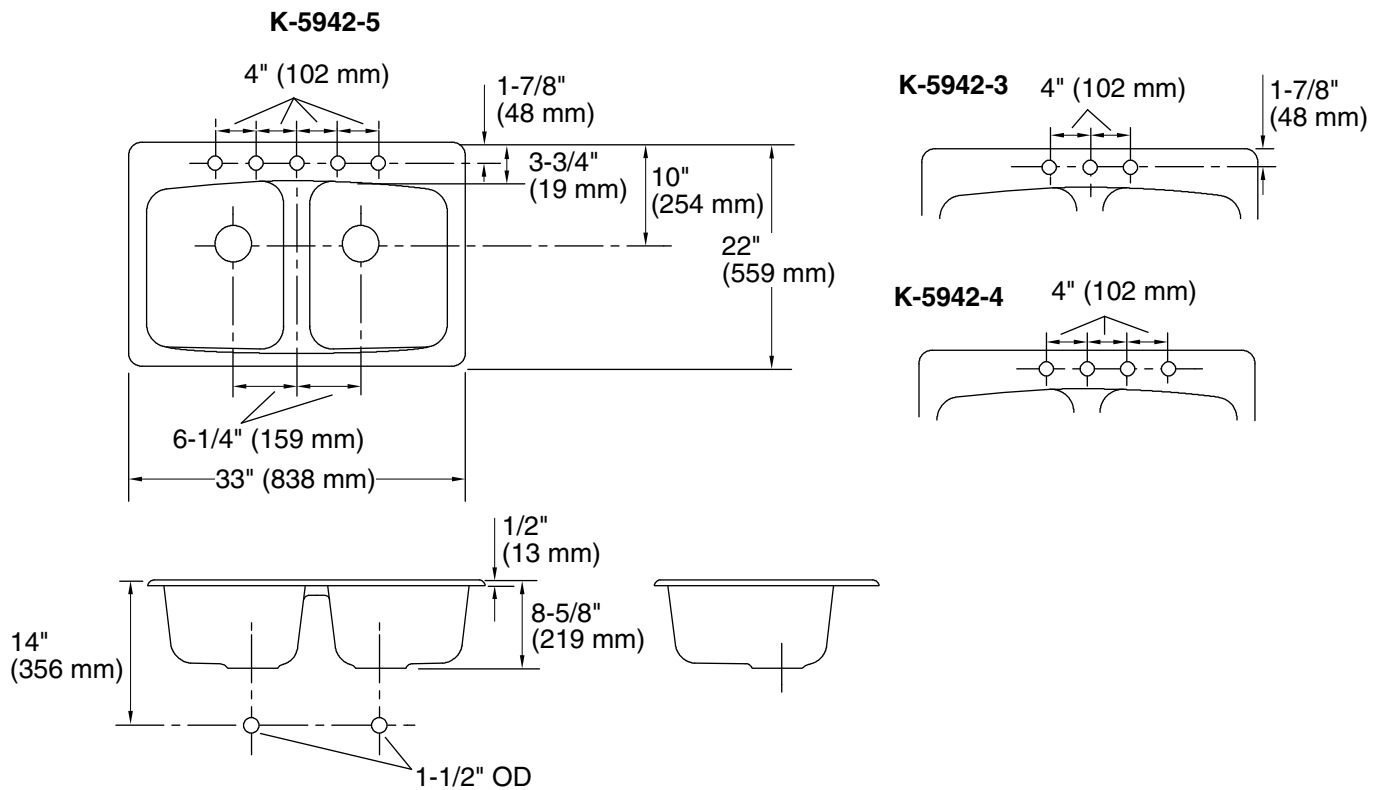
## Technical Information

Fixture*:	
Bowl area	14" (356 mm) x 17" (432 mm)
Water depth	6-3/4" (171 mm)
Drain holes	Ø 3-7/8" (98 mm)
Faucet holes	Ø 1-3/8" (35 mm)
* Approximate measurements for comparison only.	

## Installation Notes

Install this product according to the installation guide.

Cut-out is 31-7/8" (810 mm) by 20-3/4" (527 mm) with 1-1/2" (38 mm) radius corners.



## Product Diagram