

KOHLER® Roughing-In

K-4960-ET BARDON™ SUPERIOR URINAL

Product Information

Applicable product:	
3/4" top spud urinal	K-4960-ET
Fixture*:	
Configuration	3/4" top spud urinal
Water per flush	0.5 gal (1.89 L)
Spud inlet size	3/4"
Included components:	
3/4" inlet spud	18376
2" outlet spud	18766
Included components (cont.):	
Strainer	85061
Hanger (2 required)	64512
Recommended accessories:	
0.5 gpf (1.89 lpf) Touchless DC flushometer with WAVE technology	K-10675

Recommended accessories:

0.5 gpf (1.89 lpf) Touchless DC flushometer with TriPoint™ technology	K-10958
---	---------

Installation Notes

Install this product according to the installation guide.

Refer to manufacturer's instructions and local codes for flush valve requirements.

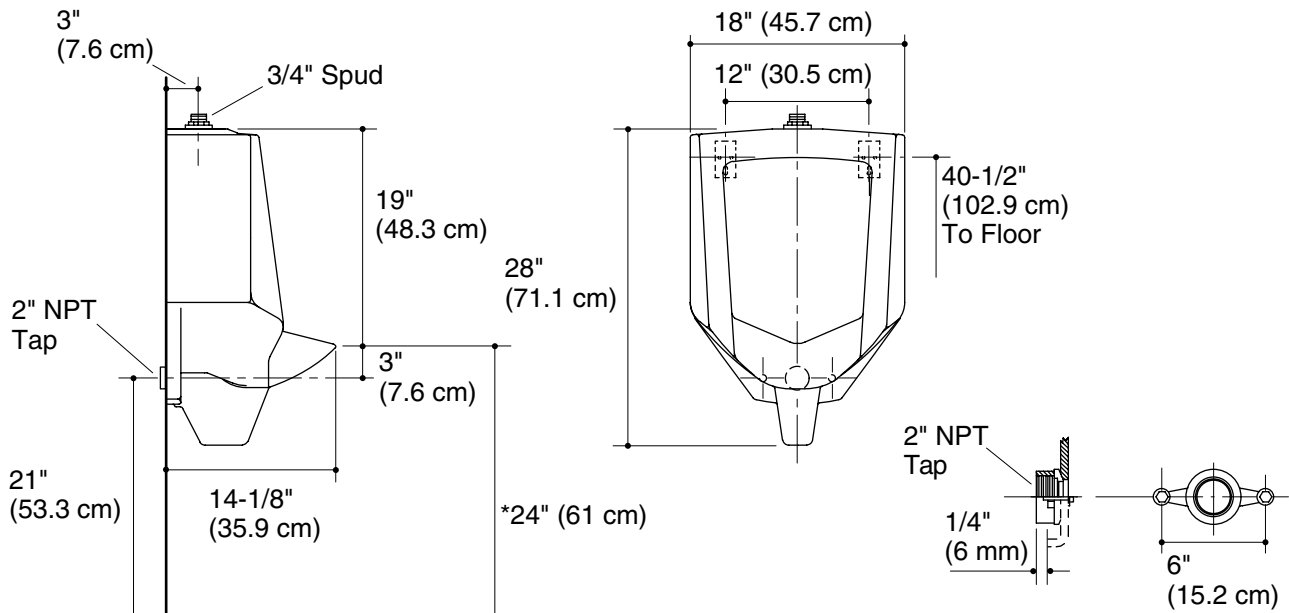
Will comply with **ADA** when installed per Section 605 Urinals of the Act.

Will comply with **CSA B651** when installed per Clause 4.3.8 of the standard.

Fixture conforms to ASME Standard A112.19.2/CSA B45.1. All dimensions are nominal.

*Urinal complies with ADA requirements when rim is mounted no higher than 17" (43.2 cm) from finished floor.

*Urinal complies with CSA B651 when rim is mounted no higher than 16-7/8" (43 cm) from finished floor.



Outlet Detail