

### Features

- Vitreous china.
- Elongated bowl.
- With bedpan lugs.
- 1-1/2" rear spud.
- 11" (279 mm) minimum rough-in.
- 11-3/8" (289 mm) x 10-3/8" (264 mm) water area.
- 2-1/4" (57 mm) passageway.
- 1.28 gpf (4.8 lpf) or 1.6 gpf (6.0 lpf) depending on flushometer specified.
- 26" (660 mm) x 14-1/2" (368 mm) x 17-1/2" (445 mm).

### Optional Accessories

21401 Closet bolt assembly  
K-4654-A Commercial Toilet Seat  
K-4670-C Commercial Toilet Seat  
K-4670-CA Commercial Toilet Seat

### Components

Additional included component/s: Spud, and Bolt cap accessory pack.



ADA CSA B651 OBC

### Codes/Standards

ASME A112.19.2/CSA B45.1  
DOE - Energy Policy Act 1992  
ADA  
ICC/ANSI A117.1  
CSA B651  
OBC

### KOHLER® One-Year Limited Warranty

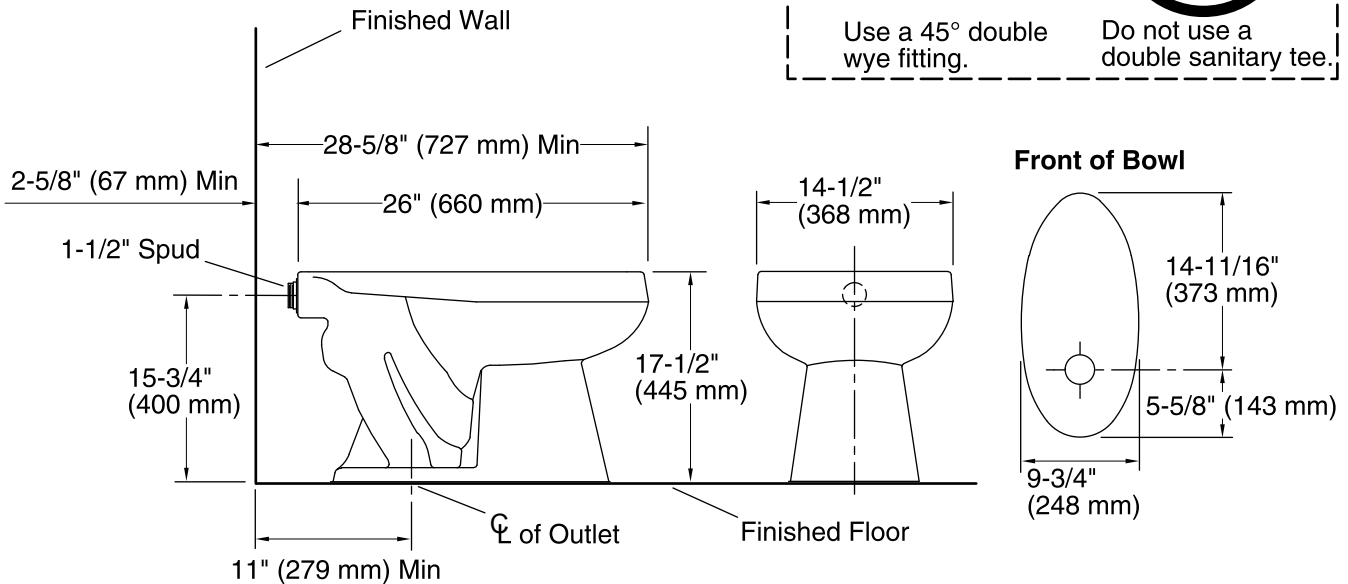
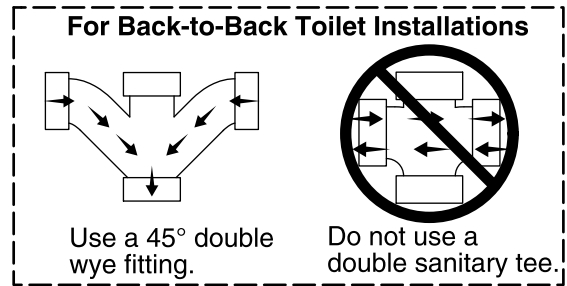
See website for detailed warranty information.

### Available Color/Finishes

*Color tiles intended for reference only.*

Color	Code	Description
-------	------	-------------

	0	White
--	---	-------



### Technical Information

All product dimensions are nominal.

Toilet type:	Flushometer, Floor-mount
Waste Outlet:	Floor
Bowl shape:	Elongated front
Spud size:	1-1/2", Inlet, Rear
Trap passageway:	2-1/4" (57 mm)
Water surface size:	11-3/8" x 10-3/8" (289 mm x 264 mm)
Rim to water surface:	6" (152 mm)
Seat-mounting holes:	5-1/2" (140 mm)

### Fixture Supply Requirements

Min static pressure:	35 psi (241.3 kPa)
Max static pressure:	80 psi (551.6 kPa)
Min flowing pressure:	25 psi (172.4 kPa)
Min flow rate:	25 gpm (94.6 lpm)

### Notes

Install this product according to the installation instructions.

Refer to manufacturer's instructions and local codes for flushometer requirements.

For back-to-back toilet installations: Use only a 45° double wye fitting.

ADA, OBC, CSA B651 compliant when installed to the specific requirements of these regulations.

Plumbing Codes require elongated toilets and elongated, open-front toilet seats in public bathrooms.

Accessibility standards require controls to be located on the open side of the toilet.