



Wellcomme™

Elongated Flushometer Bowl

K-4349

Features

- Vitreous china.
- Elongated bowl.
- 2-1/4" (57 mm) passageway.
- 11-3/8" (289 mm) x 10-3/8" (264 mm) water area.
- 11" (279 mm) minimum rough-in.
- 1-1/2" rear spud.
- 1.28 gpf (4.8 lpf) or 1.6 gpf (6.0 lpf) depending on flushometer specified.
- 26" (660 mm) x 14-1/2" (368 mm) x 14-3/4" (375 mm).

Optional Accessories

- K-4670-C Commercial Toilet Seat
- K-4670-CA Commercial Toilet Seat

Components

Additional included component/s: Spud, and Bolt cap (pair).



Codes/Standards




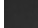
ASME A112.19.2/CSA B45.1
DOE - Energy Policy Act 1992

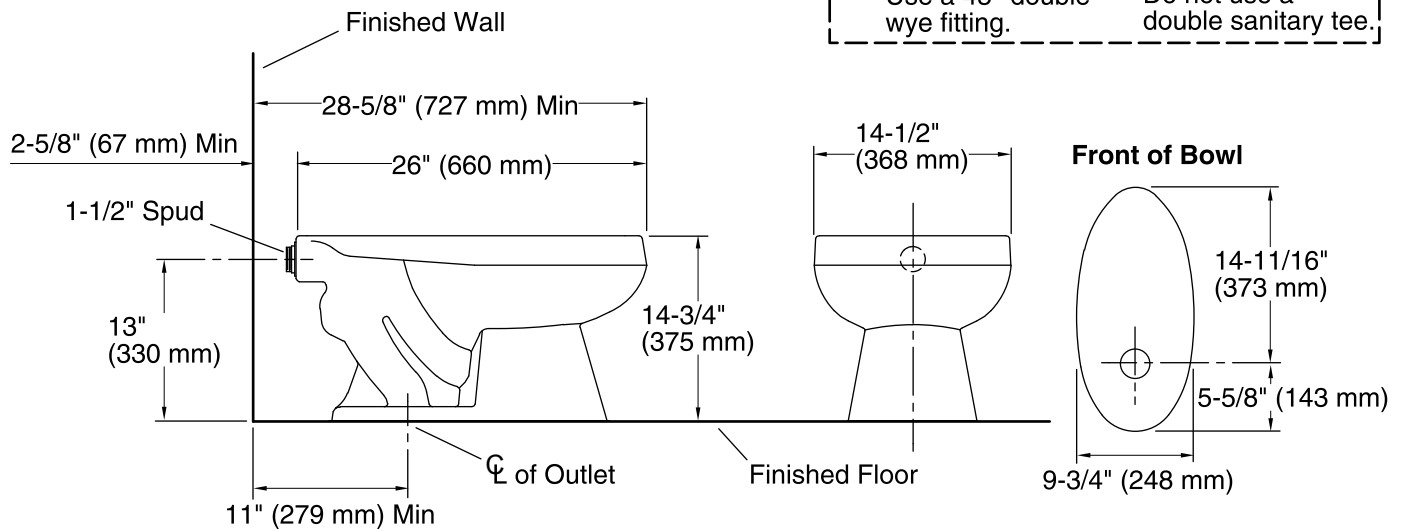
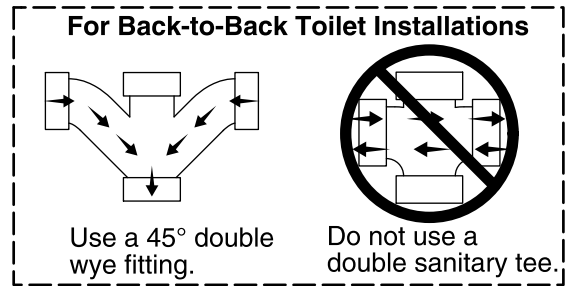
KOHLER® One-Year Limited Warranty

See website for detailed warranty information.

Available Color/Finishes

Color tiles intended for reference only.

Color	Code	Description
	0	White
	96	Biscuit
	47	Almond
	7	Black Black™



Technical Information

All product dimensions are nominal.

Toilet type:	Flushometer, Floor-mount
Waste Outlet:	Floor
Bowl shape:	Elongated front
Spud size:	1-1/2", Inlet, Rear
Trap passageway:	2-1/4" (57 mm)
Water surface size:	11-3/8" x 10-3/8" (289 mm x 264 mm)
Rim to water surface:	6" (152 mm)
Rough-in:	11" (279 mm)

Fixture Supply Requirements

Min static pressure:	35 psi (241.3 kPa)
Max static pressure:	80 psi (551.6 kPa)
Min flowing pressure:	25 psi (172.4 kPa)
Min flow rate:	25 gpm (94.6 lpm)

Notes

Install this product according to the installation instructions.

Refer to manufacturer's instructions and local codes for flushometer requirements.

For back-to-back toilet installations: Use only a 45° double wye fitting.