



Triko™
Toilet Seat
K-4710-GS

Features

- Molded wood.
- Elongated open-front seat with lid.
- Polished Chrome hinges.



Codes/Standards

IAPMO/ANSI Z124.5


KOHLER® One-Year Limited Warranty

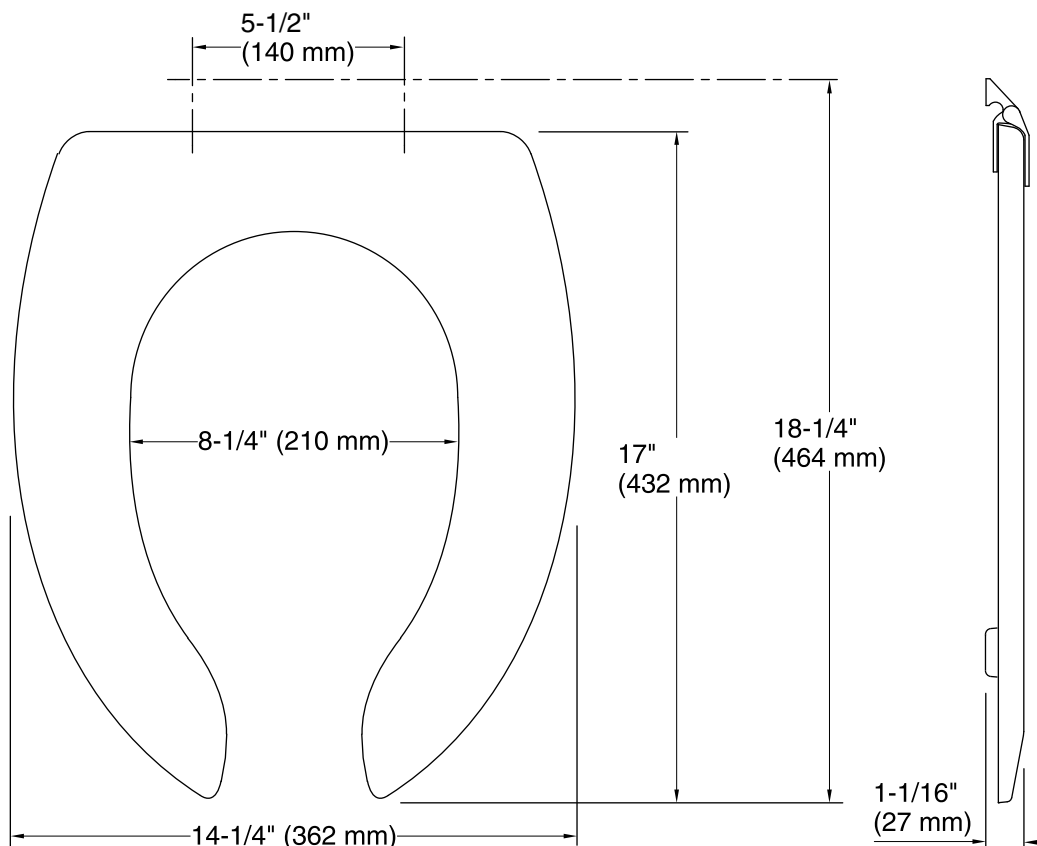
See website for detailed warranty information.

Available Color/Finishes

Color tiles intended for reference only.

Color Code Description

	0	White
--------------------------------------------------------------------------------------	---	-------



Technical Information

All product dimensions are nominal.

Seat shape type: Elongated

Seat front type: Open front

Seat-mounting holes: 5-1/2" (140 mm)

Notes

Install this product according to the installation guide.