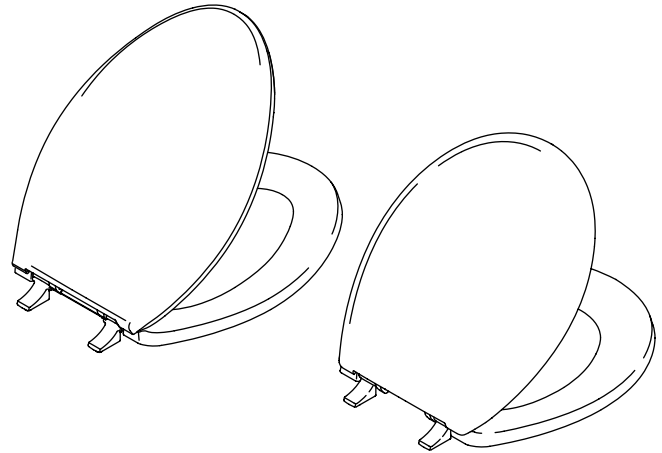


Features

- Elongated or round front
- Closed front
- Solid polypropylene plastic
- Ergonomic cover for easy opening
- Ergonomically contoured seat and cover for user comfort

TOILET SEAT K-4643

ALSO K-4644, K-4659, K-4685



Codes/Standards Applicable

Specified model meets or exceeds the following:

- None applicable

Colors/Finishes

- 0: White
- Other: Refer to Price Book for additional colors/finishes

Hinge Finishes:

- CP: Polished Chrome
- BN: Brushed Nickel
- G: Brushed Chrome
- PB: Polished Brass
- 0: White
- Other: Refer to Price Book for additional colors/finishes

Specified Model

Model	Description	Colors/Finishes					
		CP	BN	G	PB	0	Other_____
K-4643	Round closed front seat with metal hinges	<input type="checkbox"/>	<input type="checkbox"/>	<input type="checkbox"/>	<input type="checkbox"/>	<input type="checkbox"/>	<input type="checkbox"/>
K-4644	Round closed front seat with color-matched plastic hinges					<input type="checkbox"/>	<input type="checkbox"/>
K-4659	Elongated closed front seat with color-matched plastic hinges					<input type="checkbox"/>	<input type="checkbox"/>
K-4685	Elongated closed front seat with metal hinges	<input type="checkbox"/>	<input type="checkbox"/>	<input type="checkbox"/>	<input type="checkbox"/>	<input type="checkbox"/>	<input type="checkbox"/>

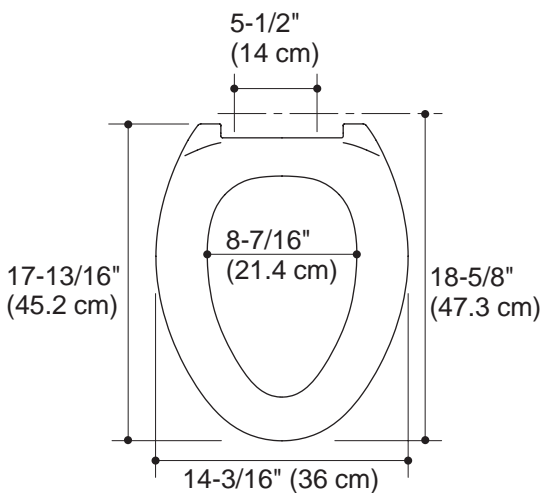
Product Specification:

The toilet seat with closed front shall be made of solid polypropylene plastic. Product shall have an ergonomically contoured seat and cover for user comfort. Product shall be available in an elongated or round front seat. Product shall be available in color-matched plastic or metal hinges. Toilet seat shall be Kohler Model K-_____-_____.

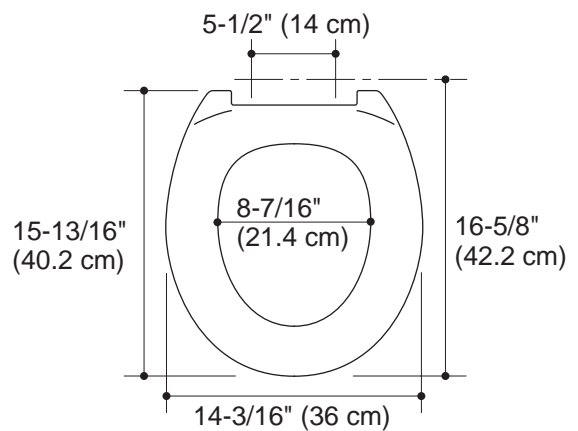
BANCROFT™

Installation Notes

Install this product according to the installation guide.



K-4659, K-4685



K-4643, K-4644

Product Diagram