

TOOBI™ RITE-TEMP®

BATH AND SHOWER VALVE TRIM

K-T8975

ALSO K-T8977, K-T8978



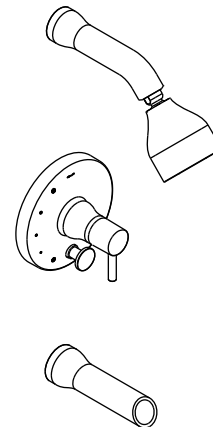
Features

- Metal construction
- *Katalyst™ Spray Technology with air induction ball joint (patent pending)*
- *Single-function spray with 48 individual MasterClean™ spray nozzles*
- *2.0 gallons (7.6 L) per minute maximum flow rate*
- *Push-button diverter on bath and shower trim models [K-T8975, K-T8977]*
- *Three color options included for the bath spout outlet and showerhead trim ring - white, green, or black*
- *Requires a Rite-Temp® valve*
- *Complements Toobi™ Suite*

Codes/Standards Applicable

Specified model meets or exceeds the following:

- ASME A112.18.1/CSA B125.1
- EPA WaterSense®



Colors/Finishes

- CP: Polished Chrome
- Other: Refer to Price Book for additional colors/finishes

Accessories

- CP: Polished Chrome
- NA: None applicable
- Other: Refer to Price Book for additional colors/finishes

Specified Model

Model	Description	Colors/Finishes	
K-T8975-4	Bath and shower valve trim with diverter (shown)	<input type="checkbox"/> CP	<input type="checkbox"/> Other ____
K-T8977-4	Shower trim only with diverter button	<input type="checkbox"/> CP	<input type="checkbox"/> Other ____
K-T8978-4	Shower trim only less diverter button	<input type="checkbox"/> CP	<input type="checkbox"/> Other ____
K-3962	Bath spout	<input type="checkbox"/> CP	<input type="checkbox"/> Other ____

Product Specification

The bath and shower valve trim shall be made of metal construction. Product shall feature *Katalyst™ Spray Technology* with air induction ball joint (patent pending). Product shall have a maximum flow rate of 2.0 gallons (7.6 L) per minute. Product shall be available as a single-function spray with 48 individual *MasterClean™* spray nozzles. Product shall feature a push-button diverter on bath and shower trim models [K-T8975, K-T8977]. Product shall feature three color options included for the bath spout outlet and showerhead trim ring - white, green, or black. Product shall require a Rite-Temp valve and shall complement the Toobi Suite. Valve trim shall be Kohler Model K-T____-4-____ and required Rite-Temp valve shall be K-____-____-NA.

TOOBI™ RITE-TEMP®

Required Accessories

K-304-*	Rite-Temp® pressure-balancing valve OR	<input type="checkbox"/> NA
K-2971-KS	HiFlow Rite-Temp valve with stops OR	<input type="checkbox"/> NA
K-11748-*	Rite-Temp valve with push-button diverter	<input type="checkbox"/> NA

* For a complete listing of all the Rite-Temp valves, refer to the individual valve Specification Sheet or Roughing-In Sheet.

Optional Accessories

1151968	Deep roughing-in kit for Rite-Temp valve	<input type="checkbox"/> CP	<input type="checkbox"/> Other _____
---------	--	-----------------------------	--------------------------------------

Installation Notes

Install the product according to the installation guide.

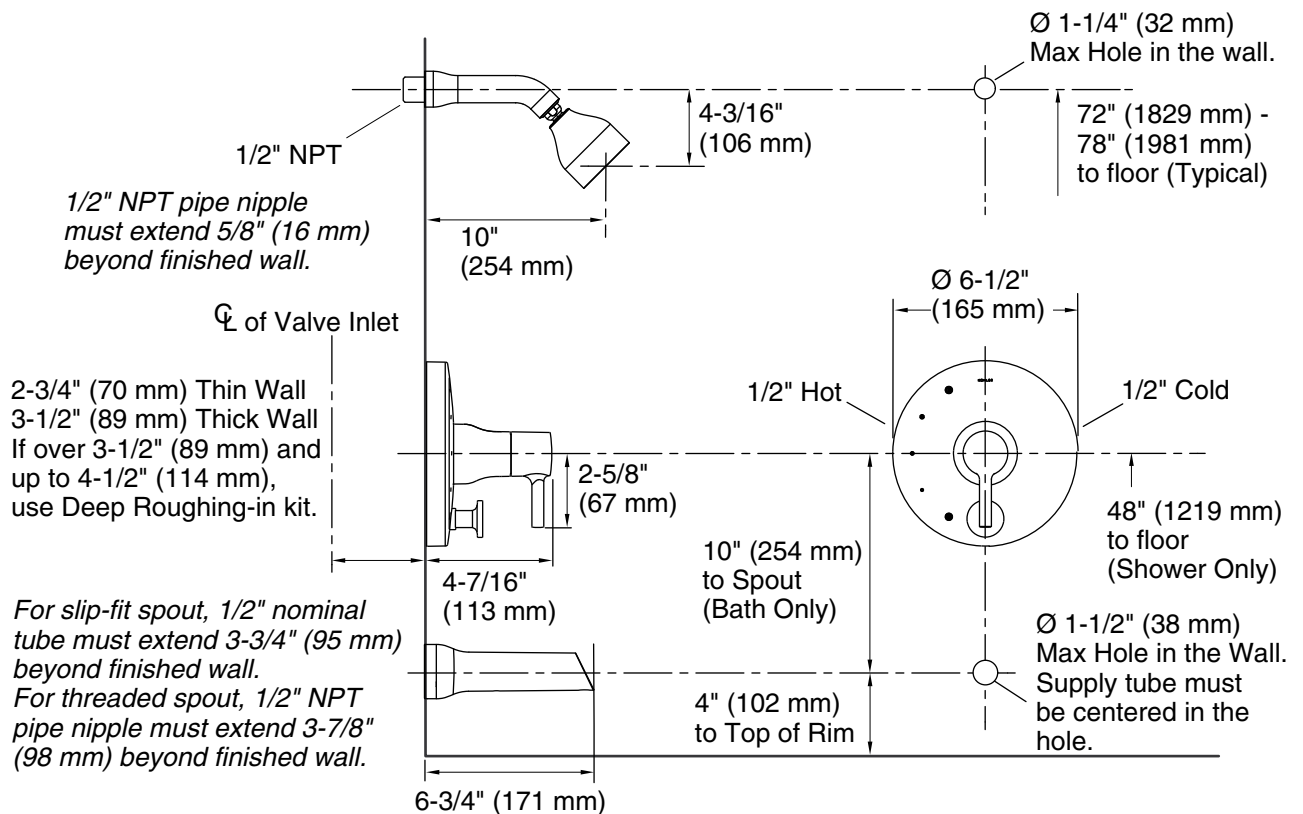
Install the Rite-Temp valve according to the installation guide.

NOTICE: Risk of product damage. For K-2971-KS valve: 1-5/8" (41 mm) screws (included) must be used. 2-3/8" (60 mm) screws will damage the valve.

Avoid cross-flow conditions. Do not install a shut-off device on either valve outlet.

Cap the shower outlet if the deck-mounted spout, diverter, or handshower is connected to the spout outlet.

Install a 7" (178 mm) to 18" (457 mm) straight pipe or straight tube with single elbow between the valve and the wall-mount spout.



Product Diagram