

### Features

- Vitreous china.
- One-piece.
- Elongated bowl.
- Dual flush system.
- Less supply.
- 2-1/8" (54 mm) glazed trapway.
- Includes seat and cover.
- Required minimum 12"(305 mm) rough-in.
- Skirted bowl design.
- High efficiency 1.6 gpf (6.0 lpf) or 0.8 gpf (3.0 lpf).
- Includes polished chrome top-mount flush actuator.
- 26-3/4" (679 mm) x 14-1/2" (368 mm) x 28" (711 mm).

### Optional Accessories

- K-7637 Angle Supply with Stop (single)
- K-7659 Angle Stop
- K-7668 Straight Stop
- K-9384 Dual-flush Actuator

### Components

Additional included component/s: Tank cover, Dual flush push buttons, Installation kit, Installation template, Tank accessory pack, and Toilet seat.



### Codes/Standards

- ASME A112.19.2/CSA B45.1
- ASME A112.19.14
- DOE - Energy Policy Act 1992
- EPA WaterSense®




### KOHLER® One-Year Limited Warranty

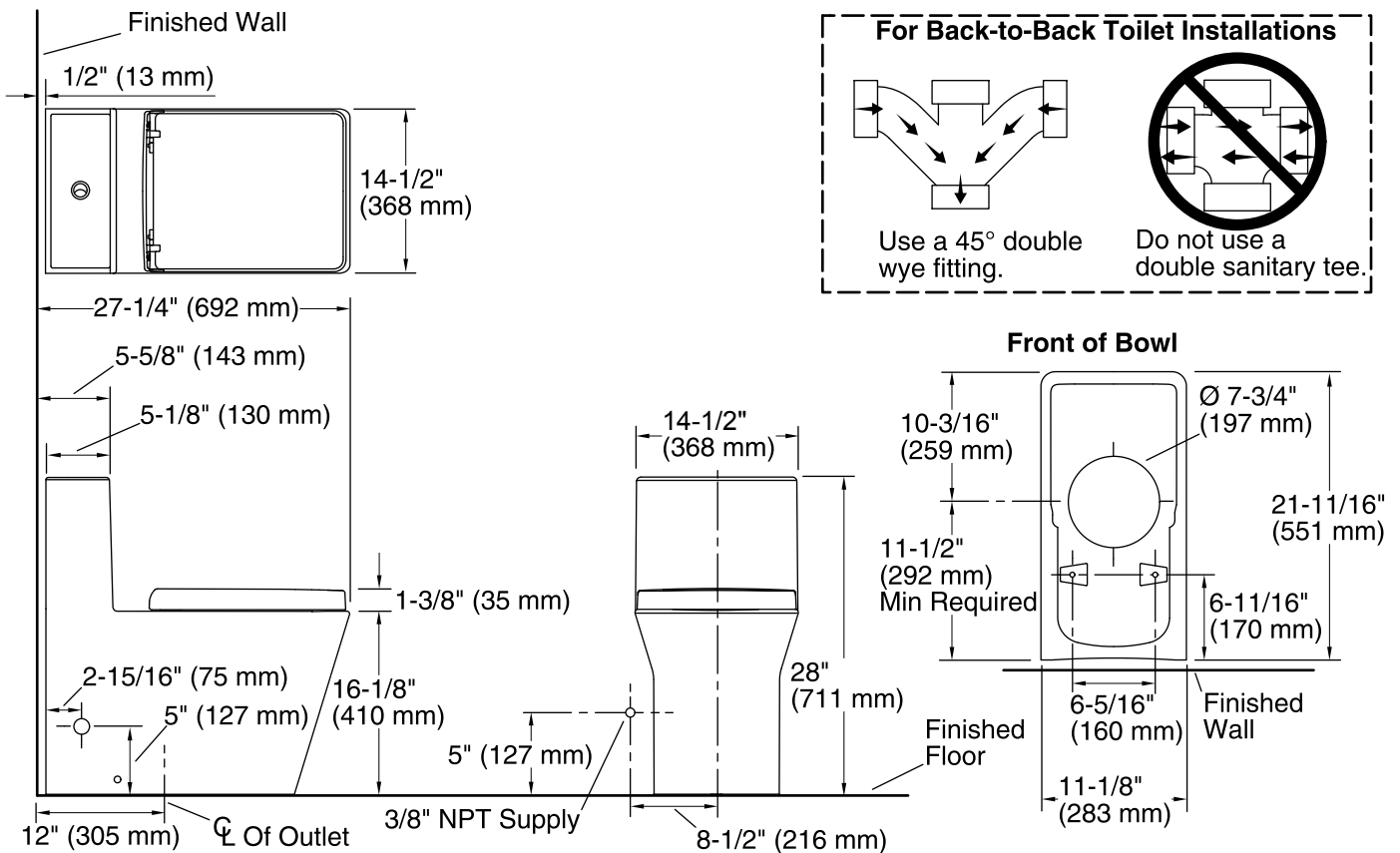
See website for detailed warranty information.

### Available Color/Finishes

*Color tiles intended for reference only.*

#### Color Code Description

	0	White
	96	Biscuit
	47	Almond



## Technical Information

All product dimensions are nominal.

Toilet type:	One-piece, Floor-mount
Waste Outlet:	Floor
Bowl shape:	Elongated front
Trap passageway:	2-1/8" (54 mm)
Water Consumption	
Full:	1.6 gpf (6 lpf)
Reduced:	0.8 gpf (3 lpf)
Water surface size:	4-1/8" x 5-1/2" (105 mm x 140 mm)
Rough-in:	12" (305 mm)
Seat-mounting holes:	7-7/8" (200 mm)

## Notes

Install this product according to the installation instructions.

For back-to-back toilet installations: Use only a 45° double wye fitting.