

CIMARRON™ CLASS 6™

COMFORT HEIGHT™ COMBINATION ELONGATED TOILET K-3609

ADA

Features

- Vitreous china
- Combination toilet
- Elongated bowl
- 12" (30.5 cm) rough-in
- 1.28 gpf (4.85 lpf)
- Less seat and supply
- 2-1/8" (5.4 cm) glazed trapway
- Class 6™ flushing system
- 16-1/2" (41.9 cm) high bowl is ADA compliant when an open-front seat is installed
- 10-1/2" (26.7 cm) x 7-1/8" (18.1 cm) water area
- 28-3/4" (73 cm) x 17-5/8" (44.7 cm) x 30-3/4" (78.1 cm)



Codes/Standards Applicable

Specified model meets or exceeds the following:

- ASME A112.19.2
- IAPMO/UPC
- Energy Policy Act of 1992
- CSA B45
- ADA
- CSA International

Colors/Finishes

- 0: White
- Other: Refer to Price Book for additional colors/finishes

Accessories

- 0: White
- CP: Polished Chrome
- PB: Vibrant® Polished Brass
- Other: Refer to Price Book for additional colors/finishes

Specified Model

Model	Description	Trip Lever	Colors/Finishes	
K-3609	Elongated front (left-hand trip lever), 1.28 gpf (4.8 lpf)	left-hand	<input type="checkbox"/> 0	<input type="checkbox"/> Other_____
K-3609-T	Elongated front, tank lock		<input type="checkbox"/> 0	<input type="checkbox"/> Other_____

Recommended Accessories				
K-4664	Brevia™ seat with cover	<input type="checkbox"/> 0		<input type="checkbox"/> Other_____
K-4660	Lustra™ open front toilet seat – for ADA compliant installation	<input type="checkbox"/> 0		<input type="checkbox"/> Other_____
K-7637	3/8" Angle supply with stop		<input type="checkbox"/> CP	<input type="checkbox"/> PB <input type="checkbox"/> Other_____

Optional Accessories table is on page 2.

Product Specification

The elongated combination toilet shall be made of vitreous china. Toilet shall be 28-3/4" (73 cm) in length, 17-5/8" (44.7 cm) in width, and 30-3/4" (78.1 cm) in height with a 10-1/2" (26.7 cm) x 7-1/8" (18.1 cm) water area. Toilet shall be 12" (30.5 cm) rough-in and 2-1/8" (5.4 cm) glazed trapway. Toilet shall be 1.28 gpf (4.8 lpf) with Class 6™ flushing system. Toilet shall be Comfort Height™ with a 16-1/2" (41.9 cm) high bowl, which is ADA compliant when an open-front seat is installed. Toilet shall be less seat and supply. Toilet shall be Kohler Model K-3609-_____.

CIMARRON™ CLASS 6™

Optional Accessories

K-9466-L	Left-hand trip lever (non-CP)	<input type="checkbox"/> PB	<input type="checkbox"/> Other_____
K-9470-L	Left-hand trip lever	<input type="checkbox"/> PB	<input type="checkbox"/> Other_____

Technical Information

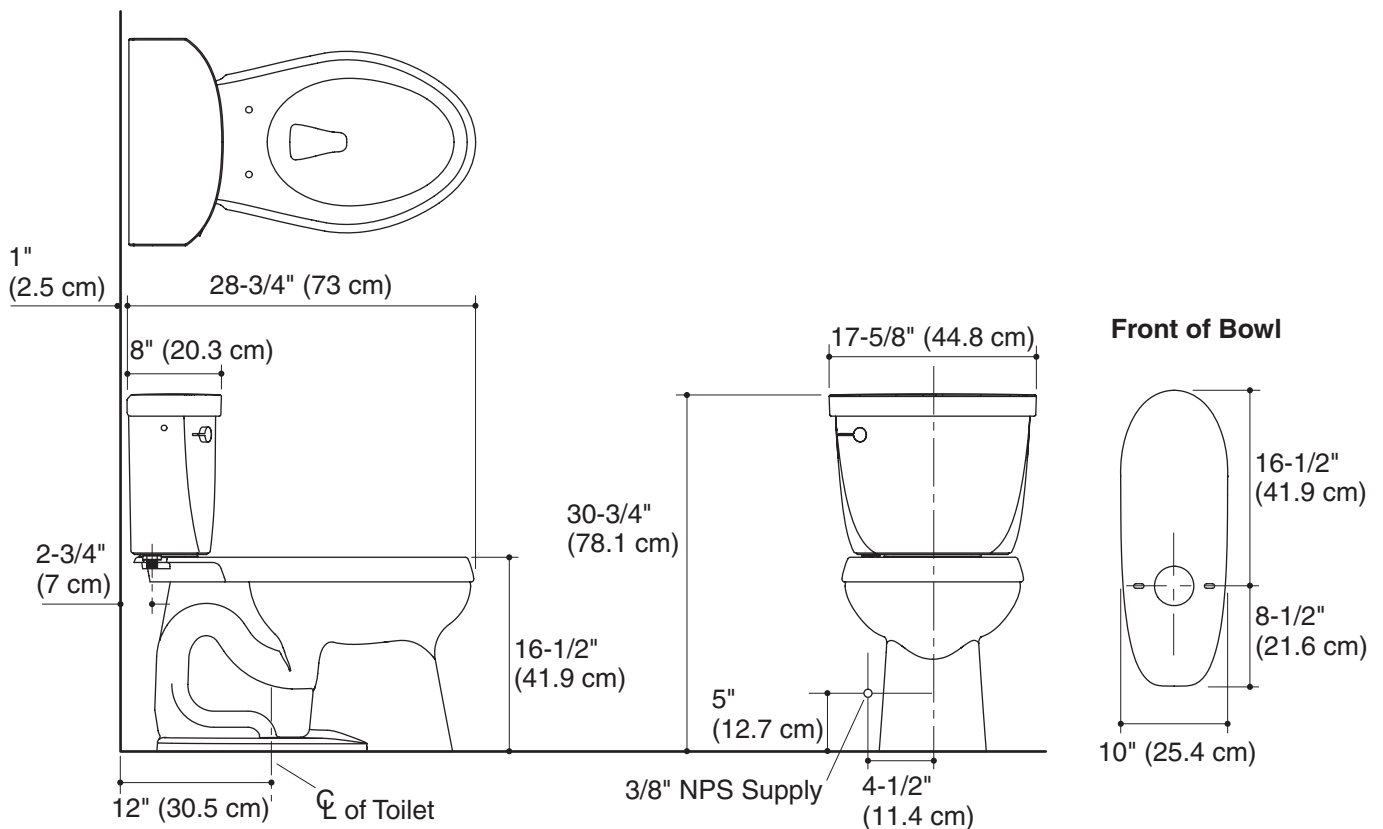
Fixture:	
Configuration	Two-piece, elongated
Water per flush	1.28 gal (4.8 L)
Passageway	2-1/8" (5.4 cm)
Water area	10-1/2" (26.7 cm) x 7-1/8" (18.1 cm)
Water depth from rim	6-1/8" (15.6 cm)
Seat post hole centers	5-1/2" (14 cm)

Included components:

Bowl	K-4309
Tank cover	1086929
Trip lever, left-hand	1059436
Bolt cap accessory pack	1013092
Tank accessory pack	1016548
Tank, left-hand trip lever, 1.28 gpf (4.8 lpf)	K-4421

Installation Notes

Install this product according to the installation guide.



Product Diagram

CIMARRON™ CLASS 6™ COMFORT HEIGHT™ COMBINATION ELONGATED TOILET

Page 2 of 2
1095477-4-A

THE BOLD LOOK
OF **KOHLER**®