



Lustra™
Commercial Toilet Seat
K-4670-SC

Features

- Solid polypropylene plastic.
- Elongated open-front seat.
- Without cover.
- Self-sustaining check hinge prevents slamming with check hinge functionality.
- Stainless steel mounting bolts.



Codes/Standards

IAPMO/ANSI Z124.5

KOHLER® One-Year Limited Warranty

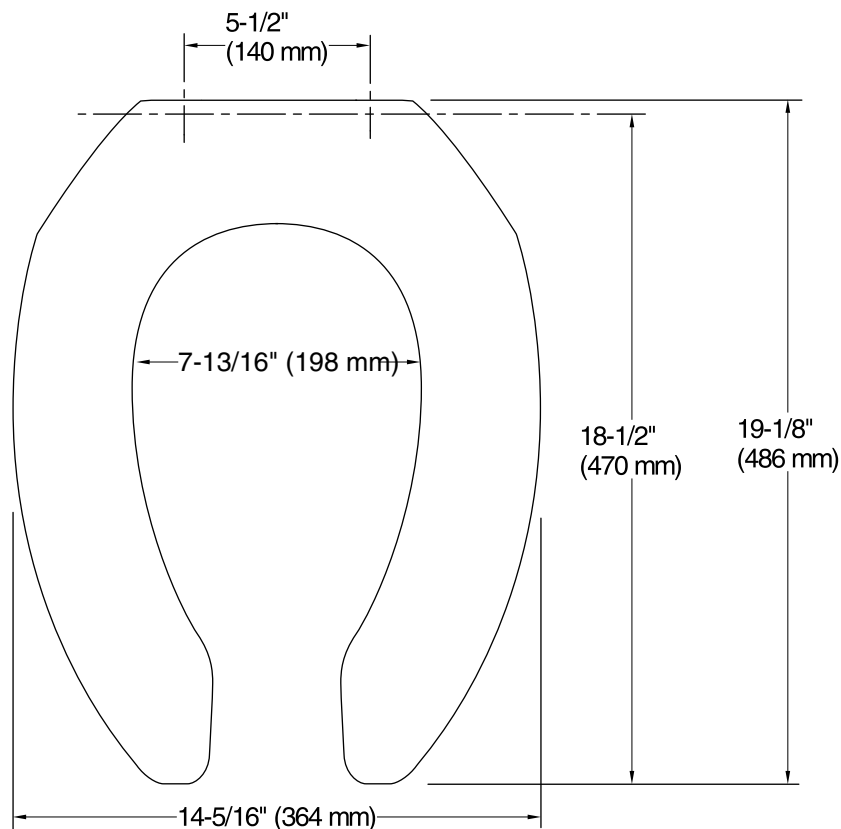
See website for detailed warranty information.

Available Color/Finishes

Color tiles intended for reference only.

Color Code Description

	0	White
--	---	-------



Technical Information

All product dimensions are nominal.

Seat shape type: Elongated
Seat front type: Open front
Seat hinge type: Check, Self-sustaining
Seat-mounting holes: 5-1/2" (140 mm)

Notes

Install this product according to the installation guide.