

Product Information

Applicable products:	
Undercounter apron front kitchen sink	K-3945
Fixture*:	
Basin area	19-11/16" (50 cm) x 17-3/16" (43.7 cm) 11-11/16" (29.7 cm) x 17-3/16" (43.7 cm)
Water depth	9" (22.9 cm)
Drain hole	3-11/16" (9.4 cm) D.
* Approximate measurements for comparison only.	
Included components:	
Hardware kit	91915
Cut-out template	1166719-7
Included accessories:	
Bottom basin rack (fits large sink basin)	K-6476
Optional accessories:	
Duostrainer® sink strainer	K-8801
Bottom basin rack (fits small sink basin)	K-6477

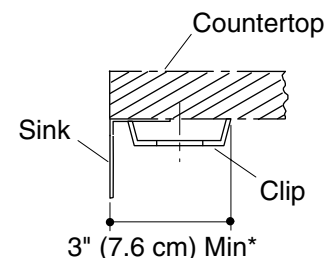
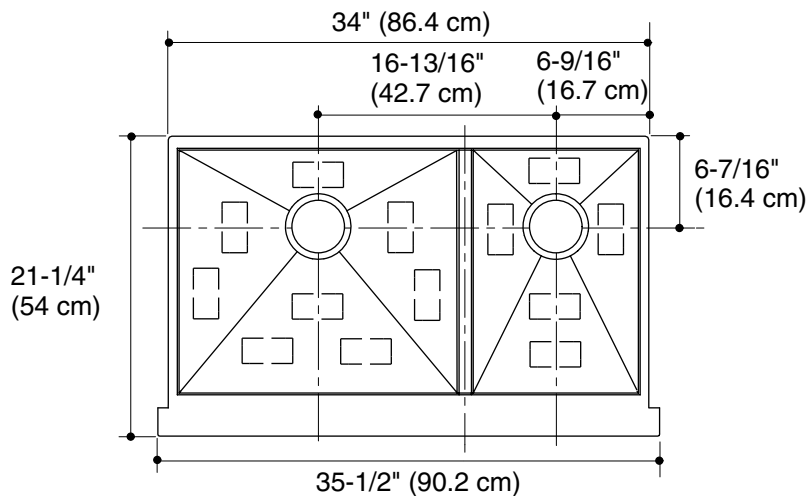
Installation Notes

Install this product according to the installation guide.

Allow a minimum of 3" (7.6 cm) clearance for the back 1" (2.5 cm) sink rim flange for clip attachment.

The 3/4" (1.9 cm) side rim flanges are supported without using the clip attachment. See the installation guide for further instructions.

Fixture conforms to ASME Standard A112.19.3/CSA B45.4. All dimensions are nominal.



*Allow clearance around the back sink rim for clip attachment.

