

Features

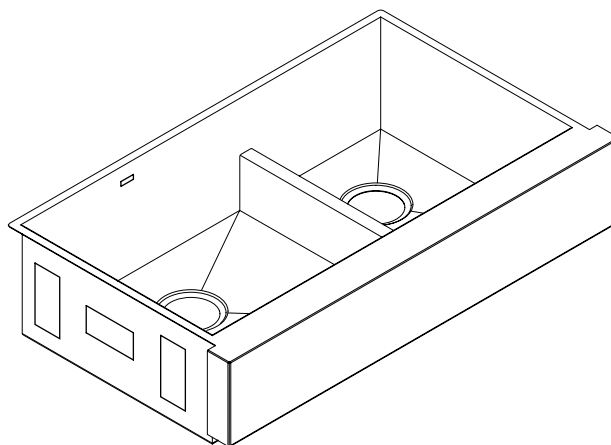
- 18-gauge stainless steel
- Undercounter
- Offset
- Smart Divide™ lowered divider
- Includes left (large) bottom basin rack
- Includes installation hardware
- Use for standard 36" (91.4 cm) cabinet
- 35-1/2" (90.2 cm) x 21-1/4" (54 cm)

Codes/Standards Applicable

Specified model meets or exceeds the following:

- ASME A112.19.3/CSA B45.4

UNDERCOUNTER APRON FRONT KITCHEN SINK K-3945



Colors/Finishes

- NA: None applicable

Accessories

- CP: Polished Chrome
- ST: Stainless Steel
- Other: Refer to Price Book for additional colors/finishes

Specified Model

Model	Description	Colors/Finishes
K-3945	Undercounter apron front kitchen sink	<input type="checkbox"/> NA
Included Accessories		
K-6476	Bottom basin rack (fits large sink basin)	<input type="checkbox"/> ST
Optional Accessories		
K-8801	Duostrainer® sink strainer	<input type="checkbox"/> CP <input type="checkbox"/> Other_____
K-6477	Bottom basin rack (fits small sink basin)	<input type="checkbox"/> ST

Product Specification

The undercounter apron front sink shall be made of 18-gauge stainless steel. Sink shall feature offset basins and Smart Divide™ lowered divider. Sink shall include left (large) bottom basin rack and installation hardware. Sink shall be 35-1/2" (90.2 cm) in length, 21-1/4" (54 cm) in width. Sink shall be used for standard 36" (91.4 cm) cabinet. Sink shall be Kohler Model K-3945-NA.

Technical Information

Fixture*:	
Basin area	19-11/16" (50 cm) x 17-3/16" (43.7 cm) 11-11/16" (29.7 cm) x 17-3/16" (43.7 cm)
Water depth	9" (22.9 cm)
Drain hole	3-11/16" (9.4 cm) D.
* Approximate measurements for comparison only.	

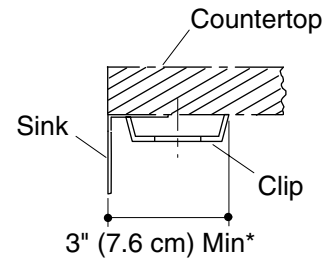
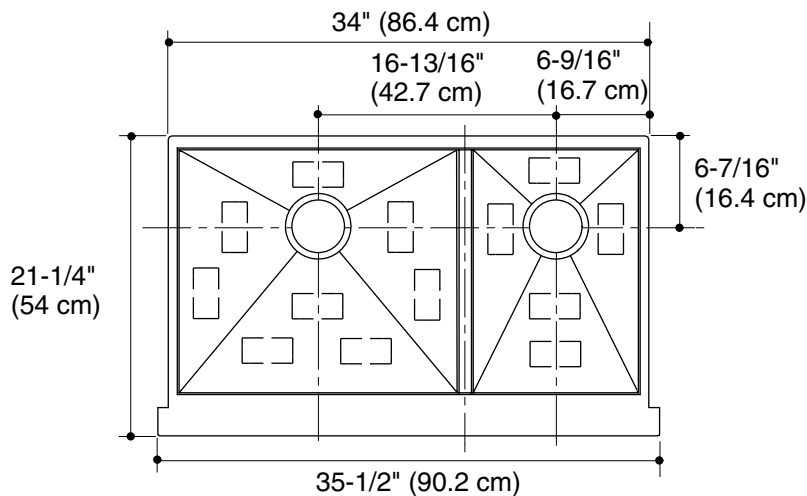
Included components:	
Hardware kit	91915
Cut-out template	1166719-7

Installation Notes

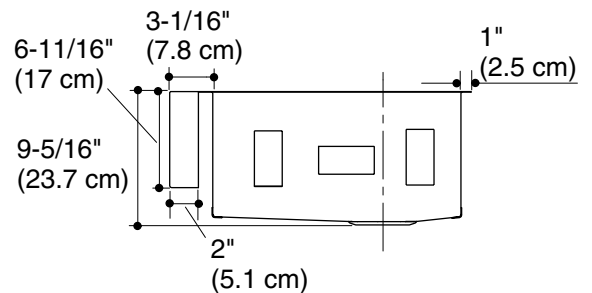
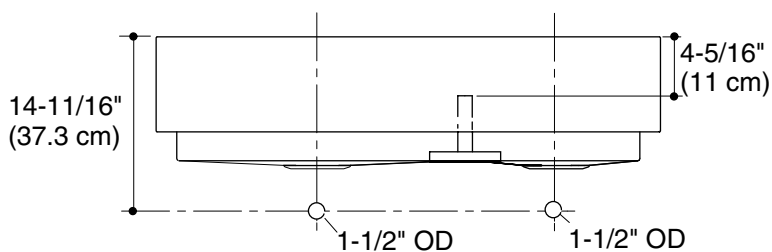
Install this product according to the installation guide.

Allow a minimum of 3" (7.6 cm) clearance for the back 1" (2.5 cm) sink rim flange for clip attachment.

The 3/4" (1.9 cm) side rim flanges are supported without using the clip attachment. See the installation guide for further instructions.



**Allow clearance around the back sink rim for clip attachment.*



Product Diagram