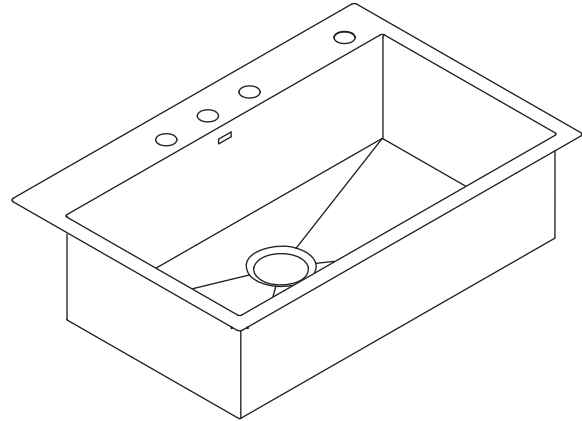


### Features

- 18-gauge stainless steel
- Top-mount or under-mount
- Includes bottom bowl rack
- Includes installation hardware
- Includes SilentShield® sound-absorption technology
- Large single bowl
- 33" (838 mm) x 22" (559 mm)

### TOP-MOUNT/UNDER-MOUNT KITCHEN SINK K-3821



### Codes/Standards Applicable

Specified model meets or exceeds the following:

- ASME A112.19.3/CSA B45.4

### Colors/Finishes

- NA: None applicable

### Accessories

- CP: Polished Chrome
- ST: Stainless Steel
- NA: None applicable
- Other: Refer to Price Book for additional colors/finishes

### Specified Model

Model	Description	Colors/Finishes
K-3821-1	Top-mount/Under-mount kitchen sink – single-hole	<input type="checkbox"/> NA
K-3821-3	Top-mount/Under-mount kitchen sink – 3-hole	<input type="checkbox"/> NA
K-3821-4	Top-mount/Under-mount kitchen sink – 4-hole	<input type="checkbox"/> NA

Included Accessories		
K-6644	Bottom bowl rack	<input type="checkbox"/> ST

Optional Accessories				
K-8801	Duostrainer® sink strainer		<input type="checkbox"/> CP	<input type="checkbox"/> Other _____
1131881	Hardware kit for countertops with a 2-1/2" (64 mm) thickness or less	<input type="checkbox"/> NA		

### Product Specification

The under-mount or top-mount kitchen sink shall be made of 18-gauge stainless steel. Sink shall include bottom bowl rack and installation hardware. Sink shall have a large single bowl. Sink shall include SilentShield sound-absorption technology. The sink shall be 33" (838 mm) in length, and 22" (559 mm) in width. Sink shall be Kohler Model K-3821-NA.

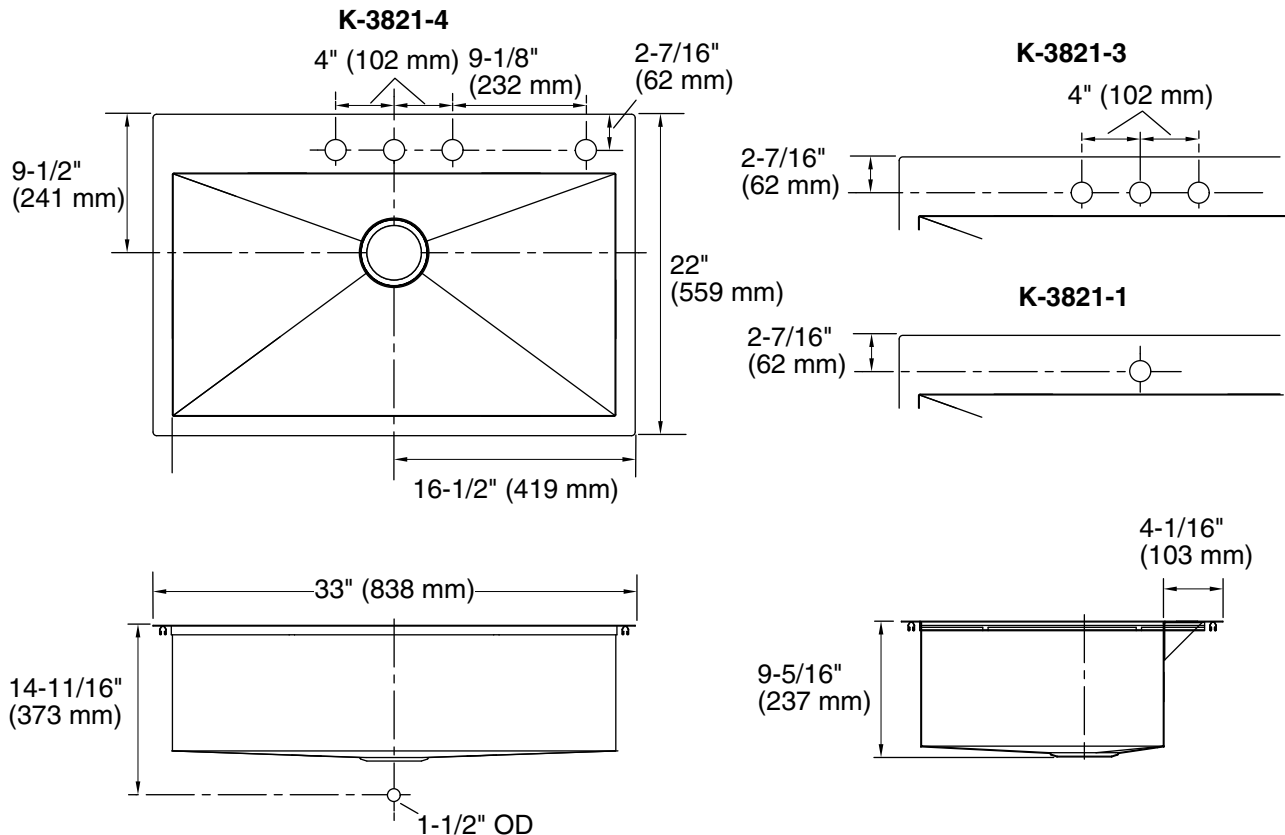
## Technical Information

Fixture*:	
Bowl area	30-1/4" (768 mm) x 16-9/16" (421 mm)
Water depth	9" (229 mm)
Drain hole	Ø 3-5/8" (92 mm)
* Approximate measurements for comparison only.	

Included components:	
Hardware kit – top-mount	1130570
Cut-out template	1130821

## Installation Notes

Install this product according to the installation guide.



## Product Diagram