

### Features

- Vitreous china.
- Two-piece toilet.
- Comfort Height® round-front bowl.
- AquaPiston® flushing system.
- Includes right-hand polished chrome trip lever.
- 1.28 gpf (4.8 lpf).
- 2-1/8" (54 mm) fully glazed trapway.
- 12" (305 mm) rough-in.
- Less seat and supply.
- 11-1/2" (292 mm) x 9-1/4" (235 mm) water area.
- 27-1/4" (692 mm) x 17-5/8" (448 mm) x 30-1/2" (775 mm).
- Floor mount / Floor outlet.
- Insuliner® tank liner included.

### Optional Accessories

- K-9466-R Right-hand Trip Lever
- K-9470-R Right-hand Trip Lever
- K-4009 Toilet Seat
- K-4639 Toilet Seat
- K-4644 Toilet Seat
- K-4662 Toilet Seat
- K-4663 Toilet Seat
- K-4689 Toilet Seat
- K-4695 Toilet Seat
- K-4775 Toilet Seat
- K-4816 Toilet Seat
- K-5589 Round-Front Toilet Seat
- K-5639 Round-Front Toilet Seat
- K-7637 Angle Supply with Stop (single)
- K-4686-A Toilet Seat
- K-4716-T Toilet Seat
- K-9466-L Left-hand Trip Lever

### Components

Product includes:

- K-4347 Comfort Height® Round-front Bowl
  - K-4166-UR Toilet Tank
- Additional included component/s: Tank cover, Trip lever, Bolt cap accessory pack, and Tank accessory pack.



ADA CSA B651 OBC

### Codes/Standards

ASME A112.19.2/CSA B45.1  
DOE - Energy Policy Act 1992  
EPA WaterSense®  
California Energy Commission (CEC)  
ADA  
ICC/ANSI A117.1  
CSA B651  
OBC




### KOHLER® One-Year Limited Warranty

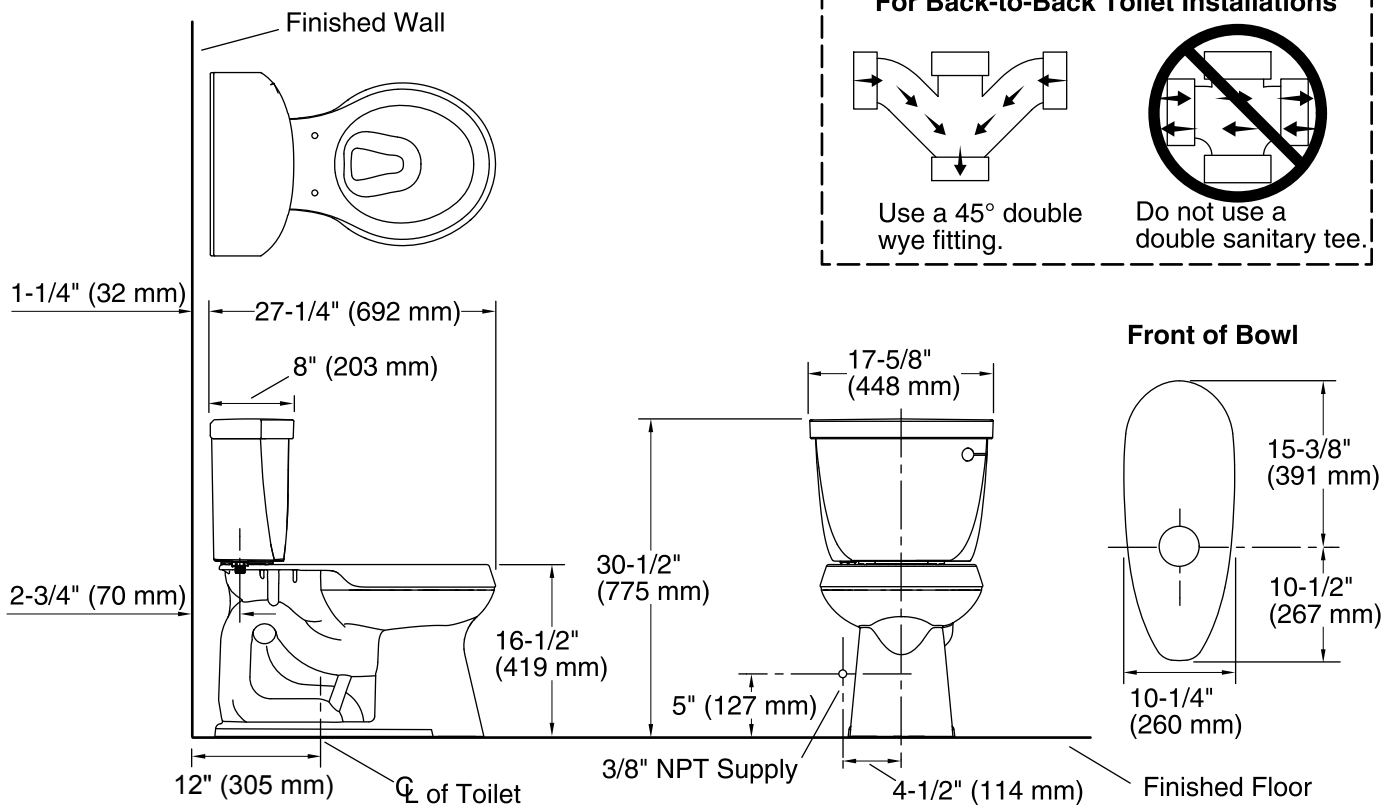
See website for detailed warranty information.

### Available Color/Finishes

*Color tiles intended for reference only.*

Color	Code	Description
-------	------	-------------

	0	White
	96	Biscuit
	47	Almond



## Technical Information

All product dimensions are nominal.

Toilet type:	Two-piece, Floor-mount
Waste Outlet:	Floor
Bowl shape:	Round front
Flush type:	AquaPiston
Trap passageway:	2-1/8" (54 mm)
Water Consumption	
Full:	1.28 gpf (4.8 lpf)
Water surface size:	11" x 9-1/4" (279 mm x 235 mm)
Rim to water surface:	5-1/4" (133 mm)
Rough-in:	12" (305 mm)
Seat-mounting holes:	5-1/2" (140 mm)

## Notes

Install this product according to the installation instructions.

For back-to-back toilet installations: Use only a 45° double wye fitting.

The Model Plumbing Codes require elongated toilets for public bathrooms.

ADA, OBC, CSA B651 compliant when installed to the specific requirements of these regulations.

Plumbing Codes require elongated toilets and elongated, open-front toilet seats in public bathrooms.

Accessibility standards require controls to be located on the open side of the toilet.