

COMFORT HEIGHT® TOILET K-3754

ADA

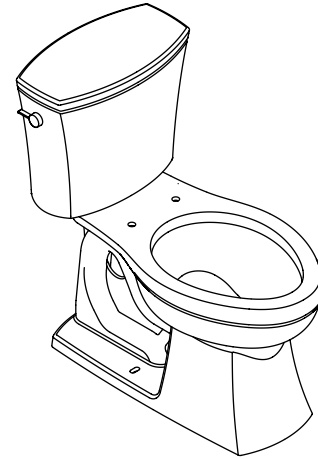
Features

- Vitreous china
- Elongated bowl
- Class Five® flushing system
- Less seat and supply
- 12" (30.5 cm) rough-in
- 1.6 gpf (6 lpf)
- 2-1/8" (5.4 cm) glazed trapway
- 11" (27.9 cm) x 8-3/4" (22.2 cm) water area
- 30" (76.2 cm) x 16-3/4" (42.5 cm) x 30-1/2" (77.5 cm)

Codes/Standards Applicable

Specified model meets or exceeds the following:

- ADA
- ICC/ANSI A117.1
- ASME A112.19.2/CSA B45.1
- Energy Policy Act of 1992



Colors/Finishes

- 0: White
- Other: Refer to Price Book for additional colors/finishes

Accessories

- 0: White
- CP: Polished Chrome
- PB: Vibrant® Polished Brass
- Other: Refer to Price Book for additional colors/finishes

Specified Model

Model	Description	Trip Lever	Colors/Finishes	
K-3754	Comfort Height toilet	left-hand	<input type="checkbox"/> 0	<input type="checkbox"/> Other_____
Recommended Accessories				
K-7637	Angle supply with stop – 3/8" NPT	<input type="checkbox"/> CP	<input type="checkbox"/> PB	<input type="checkbox"/> Other_____
Optional Accessories				
K-4650	Lustra™ elongated toilet seat - for ADA compliance	<input type="checkbox"/> 0		<input type="checkbox"/> Other_____
K-9385	Left-hand trip lever (non-CP)		<input type="checkbox"/> PB	<input type="checkbox"/> Other_____

Product Specification

The elongated bowl toilet shall be made of vitreous china. Toilet shall be 30" (76.2 cm) in length, 16-3/4" (42.5 cm) in width, and 30-1/2" (77.5 cm) in height with a 11" (27.9 cm) x 8-3/4" (22.2 cm) water area. Toilet shall be 1.6 gpf (6 lpf) with Class Five flushing system. Toilet shall have 2-1/8" (5.4 cm) glazed trapway. Toilet shall be 12" (30.5 cm) rough-in. Toilet shall be less seat and supply. Toilet shall be Kohler Model K-3754-_____.

KELSTON™

Technical Information

Fixture:	
Configuration	two-piece, elongated
Water per flush	1.6 gal (6 L)
Passageway	2-1/8" (5.4 cm)
Water area	11" (27.9 cm) x 8-3/4" (22.2 cm)
Water depth from rim	6" (15.2 cm)
Seat post hole centers	5-1/2" (14 cm)

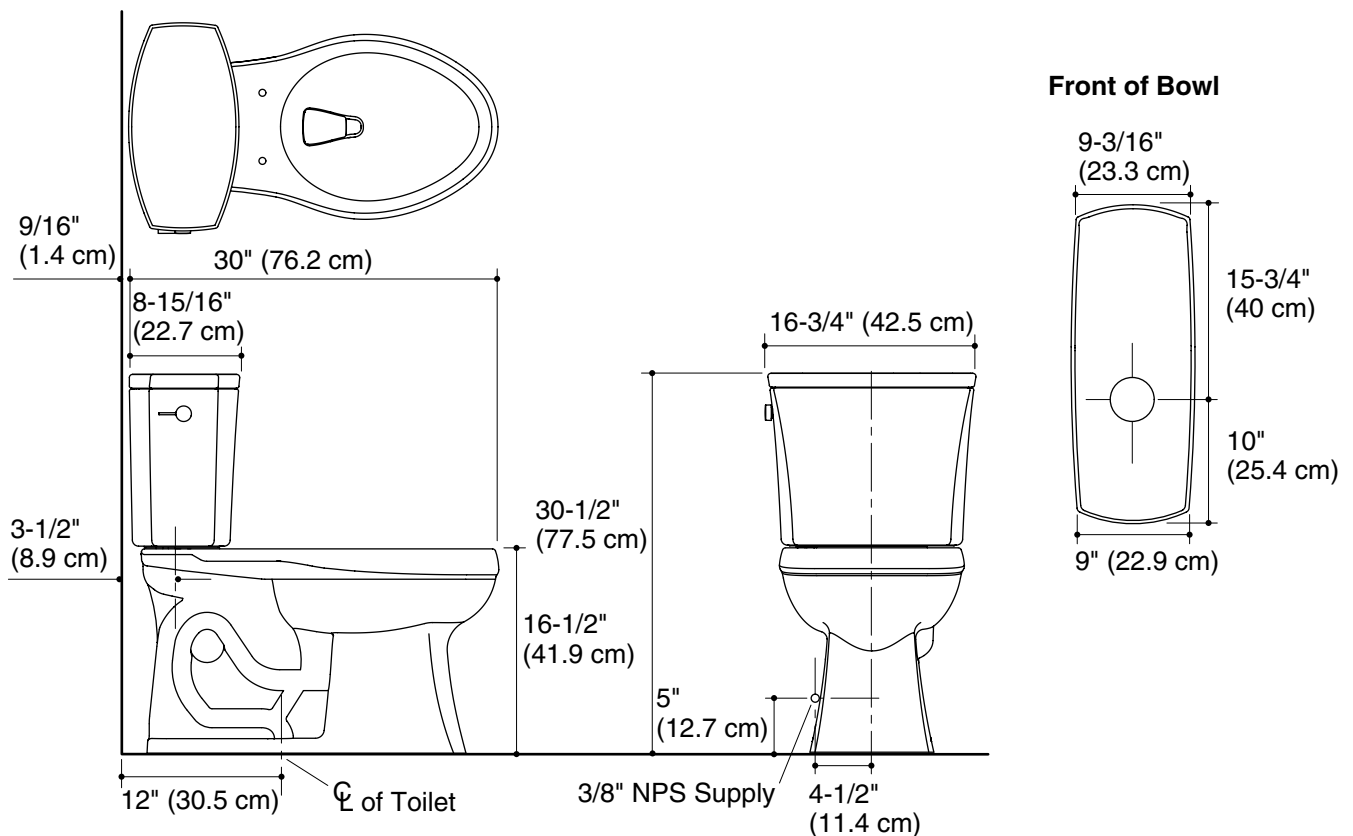
Included components:	
Bowl	K-4306
Tank	K-4474
Tank cover	1070414
Trip lever	1075348
Tank attachment kit	1016548
Bolt cap accessory pack	1013092

Installation Notes

Install this product according to the installation guide.

Will comply with the American Disabilities Act (ADA) when installed per the requirements of the Accessibility Guidelines, Section 604 Water Closets, of the Act. The Model Plumbing Codes require the installation of elongated open-front toilet seats in public bathrooms.

The Plumbing Codes require open-front elongated toilet seats on public use toilets.



Product Diagram