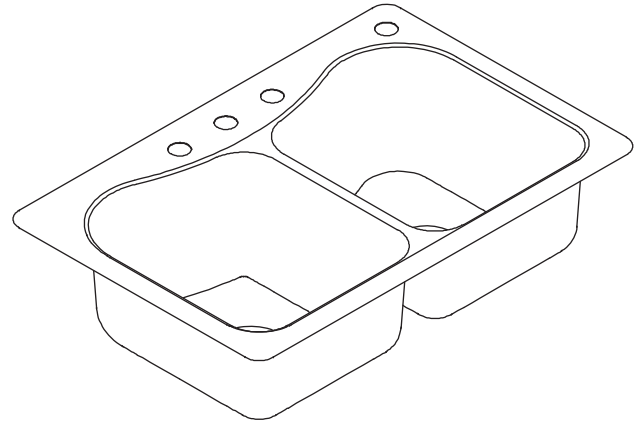


### Features

- 18-gauge stainless steel
- Top-mount
- Double (equal) compartment
- 4-hole (-4), 3-hole (-3), or single-hole (-1)
- Includes SilentShield® sound-absorption technology
- Includes installation hardware
- 33" (838 mm) x 22" (559 mm)

### TOP-MOUNT KITCHEN SINK K-3369



### Codes/Standards Applicable

Specified model meets or exceeds the following:

- ASME A112.19.3/CSA B45.4

### Colors/Finishes

- NA: None applicable

### Accessories

- CP: Polished Chrome
- ST: Stainless Steel
- NA: None applicable

### Specified Model

Model	Description	Colors/Finishes
K-3369-4	Top-mount kitchen sink – 4-hole (shown)	<input type="checkbox"/> NA
K-3369-3	Top-mount kitchen sink – 3-hole	<input type="checkbox"/> NA
K-3369-1	Top-mount kitchen sink – single-hole	<input type="checkbox"/> NA

Optional Accessories		
K-3194	Stainless steel bottom bowl rack (for left bowl only)	<input type="checkbox"/> ST
K-3196	Stainless steel bottom bowl rack (for right bowl only)	<input type="checkbox"/> ST
K-3370	Staccato hardwood cutting board	<input type="checkbox"/> NA
K-8813	Stainless steel sink strainer with tailpiece	<input type="checkbox"/> CP

### Product Specification

The top-mount kitchen sink shall be made of 18-gauge stainless steel. Sink shall be 33" (838 mm) in length and 22" (559 mm) in width. Sink shall feature double equal compartments. Sink shall be available with 4-hole, 3-hole, or single-hole. Sink shall feature SilentShield sound-absorption technology. Sink shall include installation hardware. Sink shall be Kohler Model K-3369-\_\_-NA.

# STACCATO™

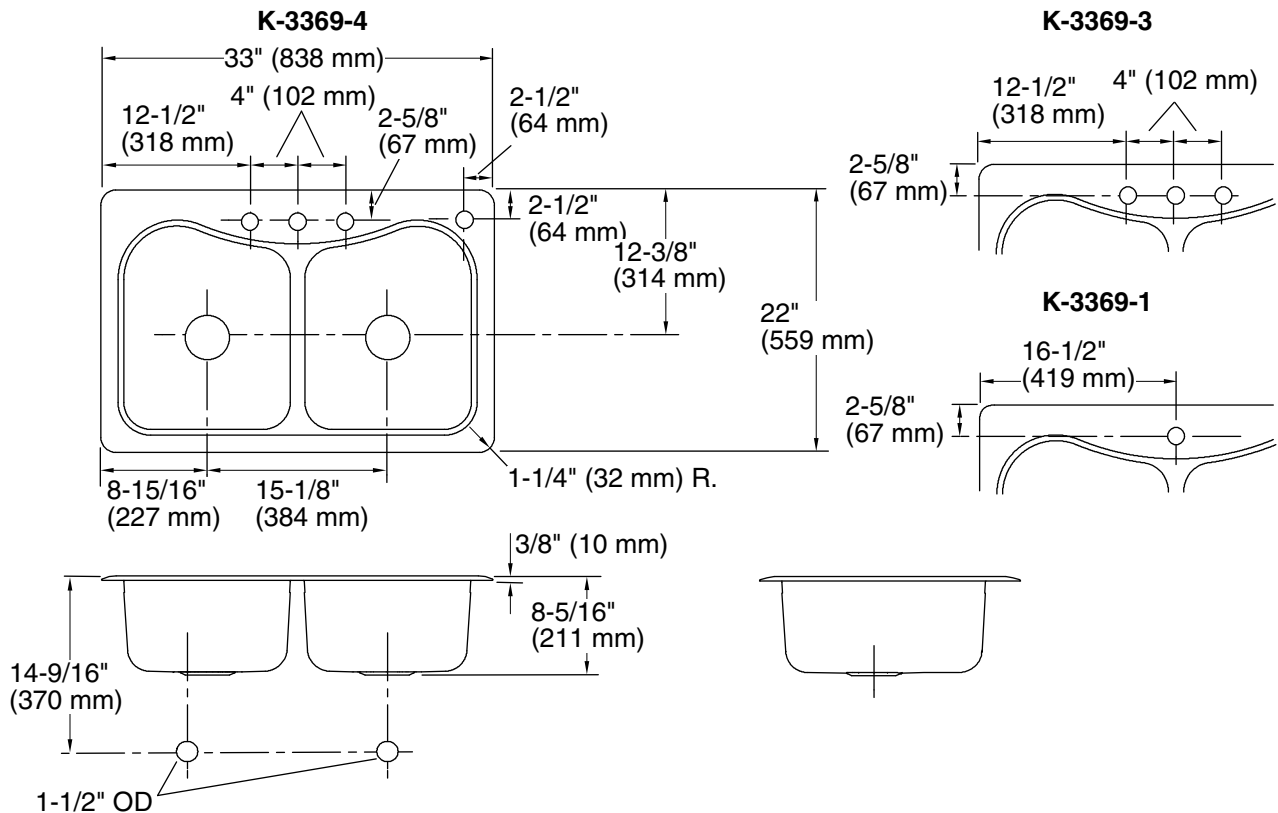
## Technical Information

Fixture*:	
Bowl area, left	17-1/16" (433 mm) x 13-15/16" (354 mm)
Bowl area, right	17-1/16" (433 mm) x 13-15/16" (354 mm)
Water depth	8" (203 mm)
Drain hole	Ø 3-5/8" (92 mm)
Faucet holes	Ø 1-7/16" (37 mm)
*Approximate measurements for comparison only.	
Included components:	
Installation hardware	1036072

## Installation Notes

Install this product according to the installation guide.

Cut-out is 32-1/2" (826 mm) x 21-1/2" (546 mm) with 1" (25 mm) radius corners.



## Product Diagram