

TOP-MOUNT BAR SINK K-3349

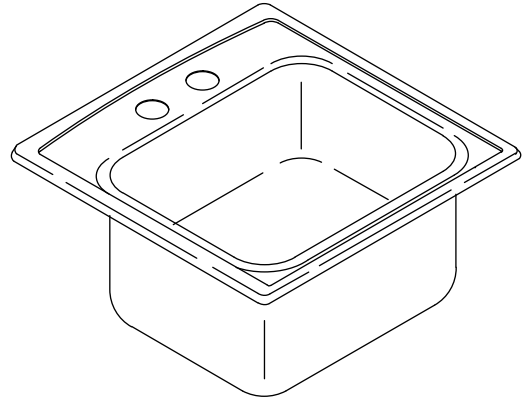
Features

- 19-gauge stainless steel
- Single bowl
- Includes installation hardware
- Top-mount
- 2-hole (-2) or single-hole (-1)
- 15" (381 mm) x 15" (381 mm)

Codes/Standards Applicable

Specified model meets or exceeds the following:

- ASME A112.19.3/CSA B45.4



Colors/Finishes

- NA: None applicable

Accessories:

- CP: Polished Chrome
- NA: None applicable
- Other: Refer to Price Book for additional colors/finishes

Specified Model

Model	Description	Colors/Finishes	
K-3349-1	Top-mount bar sink – single-hole	<input type="checkbox"/> NA	
K-3349-2	Top-mount bar sink – 2-hole	<input type="checkbox"/> NA	
Optional Accessories			
K-8801	Duostrainer® sink strainer	<input type="checkbox"/> CP	<input type="checkbox"/> Other_____
1177161	Hardware kit for countertop with 2-1/2" (64 mm) thickness or less	<input type="checkbox"/> NA	

Product Specification

The top-mount bar sink shall be made of 19-gauge stainless steel. Sink shall be 15" (381 mm) in length and 15" (381 mm) in width. Sink shall be single bowl. Sink shall be 2-hole (-2) or single-hole (-1). Sink shall include installation hardware. Sink shall be Kohler Model K-3349-_____.

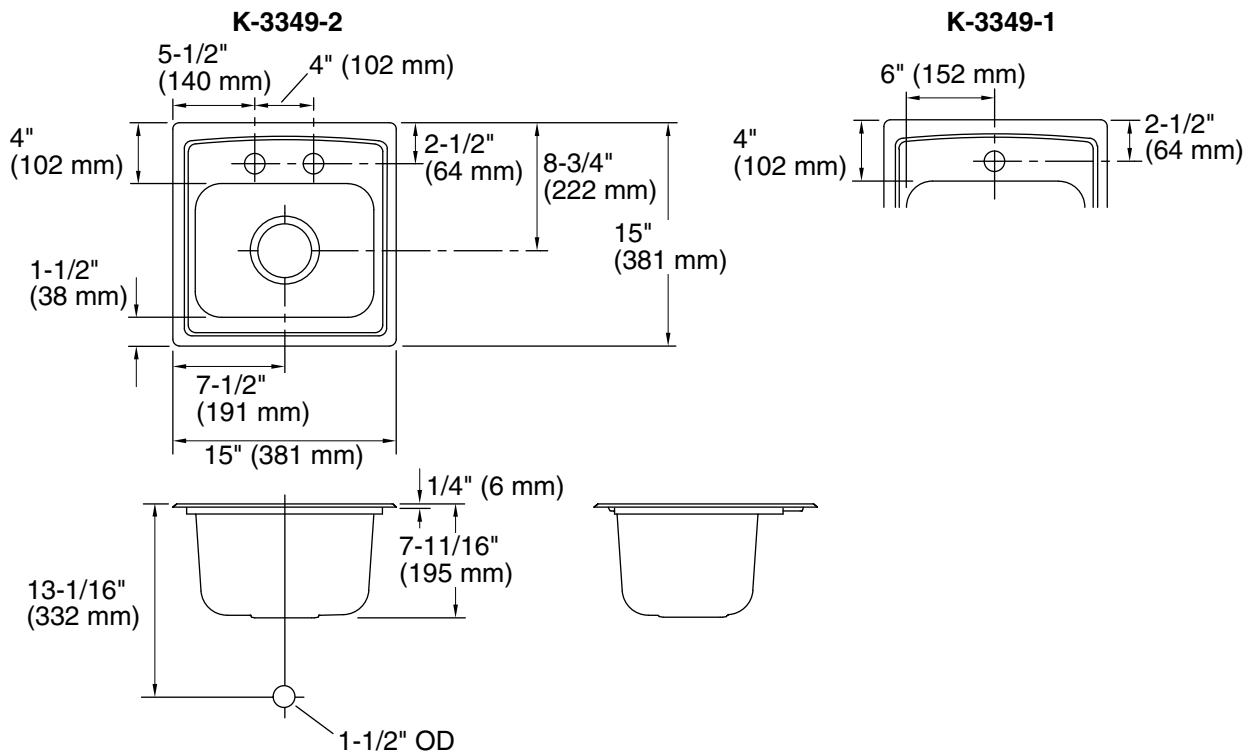
TOCCATA™

Technical Information

Fixture*:	
Bowl area	12" (305 mm) x 9-1/2" (241 mm)
Water depth	7" (178 mm)
Drain hole	Ø 3-5/8" (92 mm)
Faucet holes	Ø 1-7/16" (37 mm)
*Approximate measurements for comparison only.	
Included components:	
Hardware kit – top-mount	1177160

Installation Notes

Install this product according to the installation guide.
Cut-out is 14-1/2" (368 mm) x 14-1/2" (368 mm) with 1/2" (13 mm) radius corners.



Product Diagram