

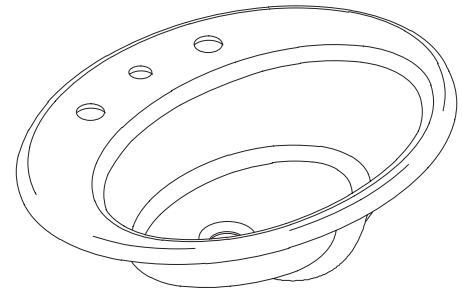
SELF-RIMMING LAVATORY

K-2907

ADA

FEATURES

- 24" (61cm) x 18" (45.7cm)
- Cast iron
- Self-rimming
- 4" (10.2cm) centers (K-2907-4), 8" (20.3cm) centers (K-2907-8), single-hole (K-2907-1) drilling
- ADA compliant



CODES/STANDARDS APPLICABLE

Specified model meets or exceeds the following:

- ADA
- ASME/ANSI A112.19.1M
- CABO/ANSI A117.1
- IAPMO/UPC
- Canadian Standards Association (CSA)
- State of Massachusetts

COLORS/FINISHES

- 0 White
- Other Refer to Fixtures Price Book for additional colors

Accessories:

- CP Polished Chrome
- Other Refer to Faucets Price Book for additional finishes

SPECIFIED MODEL:

Model	Description	Colors/Finishes	
K-2907-8	8" (20.3cm) centers lavatory	<input type="checkbox"/> 0 White	<input type="checkbox"/> Other _____
K-2907-4	4" (10.2cm) centers lavatory	<input type="checkbox"/> 0 White	<input type="checkbox"/> Other _____
K-2907-1	Single-hole lavatory	<input type="checkbox"/> 0 White	<input type="checkbox"/> Other _____

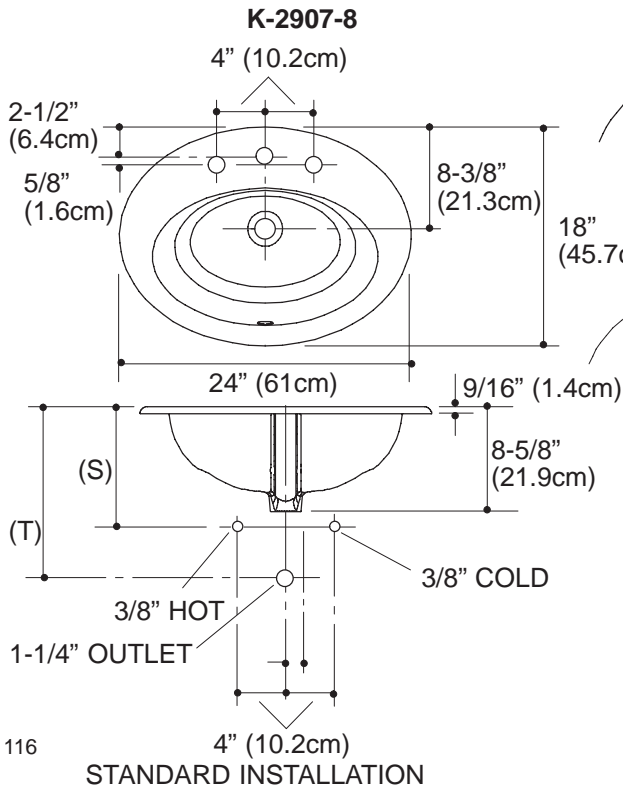
Recommended Accessories			
K-8998	Trap	<input type="checkbox"/> CP	<input type="checkbox"/> Other _____

PRODUCT SPECIFICATION:

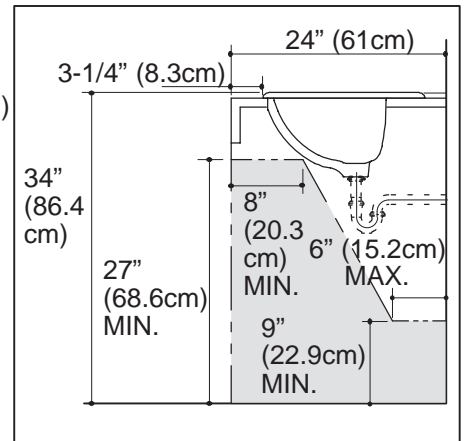
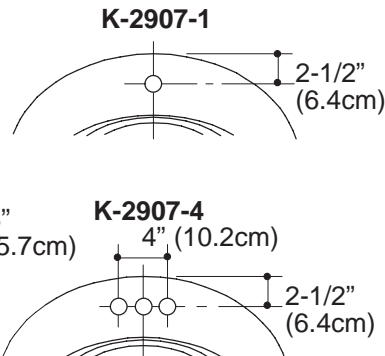
The oval self-rimming lavatory shall be 24" (61cm) in length, and 18" (45.7cm) in width. Lavatory shall be made of cast iron. Lavatory shall have 8" (20.3cm) centers (K-2907-8), 4" (10.2cm) centers (K-2907-4), or single-hole (K-2907-1) drilling. Lavatory shall be ADA compliant. Lavatory shall be Kohler Model K-2907-_____-_____-_____.

PRODUCT INFORMATION

ADA compliant.			
Fixture*:		basin area	water depth
Lavatory		19" (48.3cm) x 11" (28cm)	4-3/4" (12.1cm)
Outlet	1-11/16" D. (4.3cm)		
* Approximate measurements for comparison only.			
Holes	K-2907-1	K-2907-4	K-2907-8
Spout	1-3/8" D. (3.5cm)	1-1/8" D. (2.9cm)	1-1/8" D. (2.9cm)
Faucet		1-3/16" D. (3cm)	1-3/8" D. (3.5cm)
Included Components:			
Overflow ferrule (1)			84896
Cutout template			114535-7



116



RECOMMENDED ADA INSTALLATION

(T) Pop-up drain 14-1/4" (36.2cm), grid drain 13-3/8" (34cm)		
Supply (Based on 12" (30.5cm) riser which may require cutting).	K-2907-1, K-2907-4	K-2907-8
(S)	10" (25.4cm)	14" (35.6cm)

PRODUCT DIAGRAM