



Maratea®
Drop-in Bathroom Sink
K-2831-4

Features

- Without overflow.
- 4-inch center faucet holes.
- Oval basin.
- 22-5/8" (575 mm) x 17-1/4" (438 mm)

Material

- KOHLER® enameled cast iron.

Installation

- Drop-in

Recommended Accessories

K-8998 P-Trap



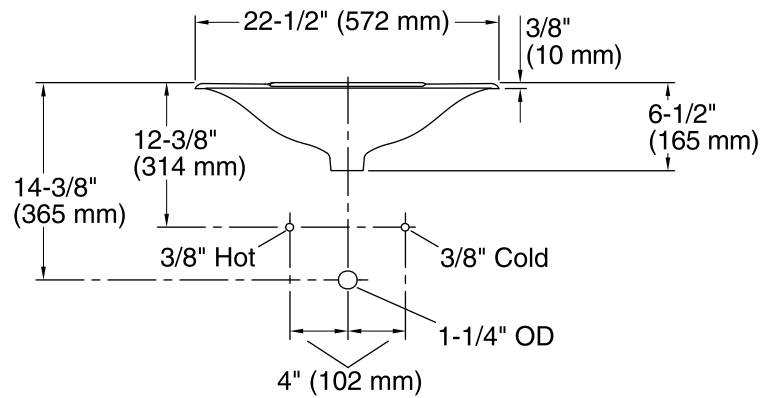
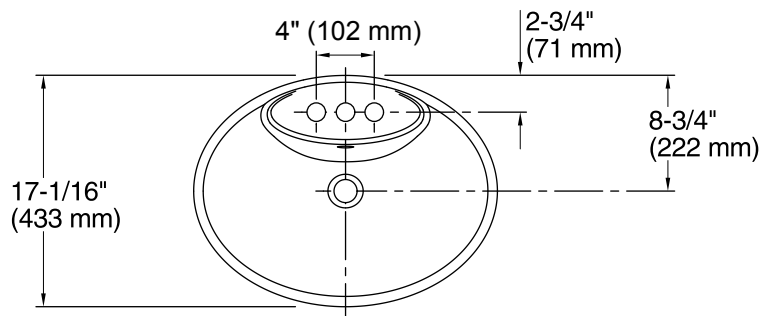
ADA	CSA B651	OBC
-----	----------	-----

Codes/Standards

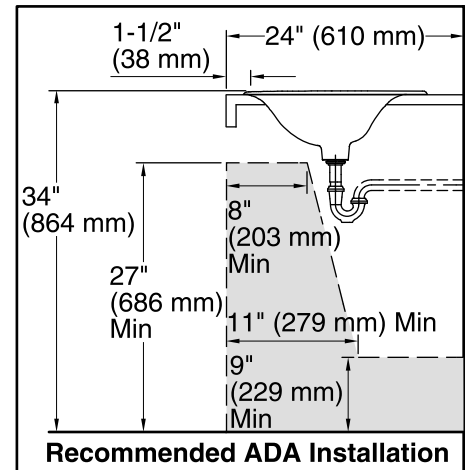
ASME A112.19.1/CSA B45.2
ADA
ICC/ANSI A117.1
CSA B651
OBC

**KOHLER® Lifetime Limited Warranty
for Cast Iron Components**

See website for detailed warranty information.



Standard Installation



Technical Information

All product dimensions are nominal.

Bowl configuration:	Single
Installation:	Drop-In
Bowl area (Only)	Length: 21-1/16" (535 mm) Width: 11-1/4" (286 mm) Bowl depth: 4-1/2" (115 mm) Water depth: 4-1/2" (115 mm)
Number of deck holes:	3
Faucet hole(s):	1-3/8" (35 mm)
Drain hole:	1-3/4" (44 mm)
Template:	1046628-7, not required, included

Notes

Install this product according to the installation instructions.

NOTICE: Countertop manufacturer or cutter must use the cut-out template provided with the product, or a current one provided by Kohler Co. (call 1-800-4-KOHLER). Kohler Co. is not responsible for cutout errors when the incorrect cut-out template is used.

Product does not have an overflow.

ADA, OBC, CSA B651 compliant when installed to the specific requirements of these regulations.