

Features

- Oval shaped under-mount basin
- No faucet drillings; requires countertop or wall-mount faucet
- Durable glass material is easy to clean

Recommended Accessories

- K-7107 Decorative Drain
- K-7108 Decorative Drain
- K-7129 Drain
- K-9018 P-Trap

Components

Additional included component/s: Hardware Kit - 52047, and Drain Gasket Kit - 1070246.



ADA

Codes/Standards








CSA B45.11/IAPMO Z401
CSA B45.5/IAPMO Z124
ADA
ICC/ANSI A117.1

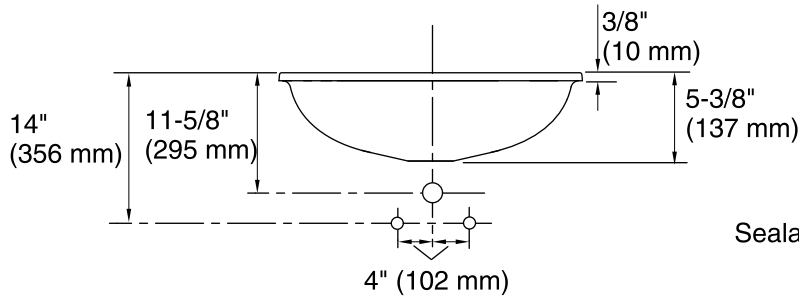
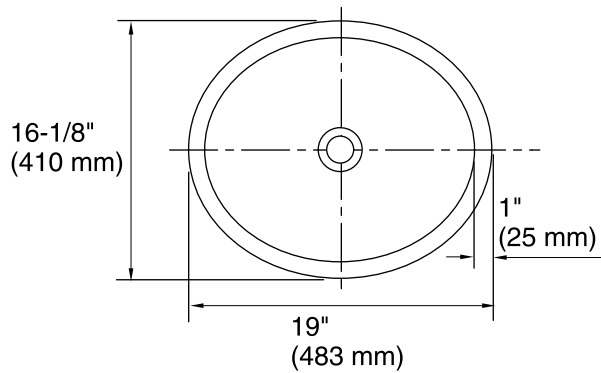
KOHLER® One-Year Limited Warranty

See website for detailed warranty information.

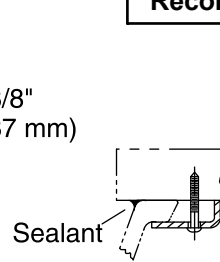
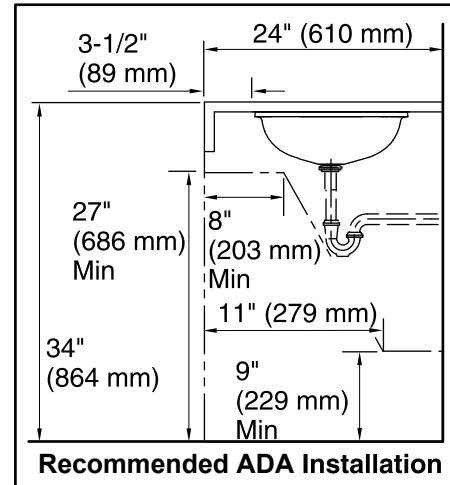
Available Color/Finishes

Color tiles intended for reference only.

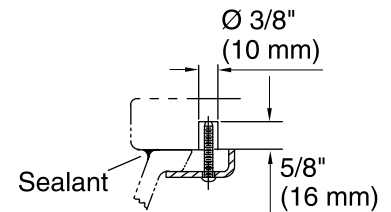
Color	Code	Description
	B11	Ice
	TG1	Translucent Dusk
	TG2	Translucent Dew
	TG3	Translucent Doe
	TG6	Translucent Sapphire
	TG7	Translucent Sandalwood
	TG8	Translucent Stone



Standard Installation



Wood Installation



Marble Installation

Technical Information

All product dimensions are nominal.

Bowl configuration: Single

Installation: Under-mount

Bowl area
Length: 17-3/16" (437 mm)
Width: 14-3/16" (360 mm)
Bowl depth: 4-3/4" (121 mm)
Water depth: 4-3/4" (121 mm)

Template: 1151001-7, required, included

Notes

Install this product according to the installation instructions.

NOTICE: Countertop manufacturer or cutter must use the cut-out template provided with the product, or a current one provided by Kohler Co. (call 1-800-4-KOHLER). Kohler Co. is not responsible for cutout errors when the incorrect cut-out template is used.

ADA compliant when installed to the specific requirements of these regulations.