

VESSELS LAVATORY K-2367, K-2368

ADA

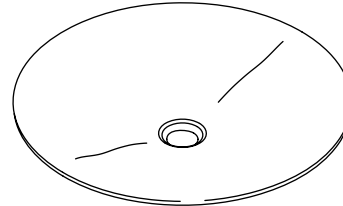
Features

- Glass
- Without overflow
- Above-the-counter installation
- ADA compliant when distance from rim to floor is 34" (86.4 cm)
- 19" (48.3 cm) diameter

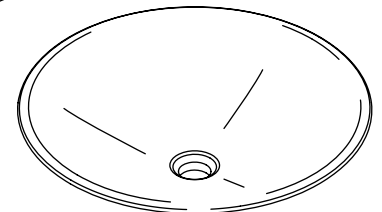
Codes/Standards Applicable

Specified model meets or exceeds the following:

- IAPMO/UPC IGC 172
- ICC/ANSI A117.1
- ADA
- CSA B45
- CSA B45.11



K-2367



K-2368

Colors/Finishes

- B11: Ice™

Accessories

- CP: Polished Chrome
- Other: Refer to Price Book for additional colors/finishes

Specified Model

Model	Description	Colors/Finishes	
K-2367	Lavinia™ lavatory	<input type="checkbox"/> B11	
K-2368	Facet™ lavatory	<input type="checkbox"/> B11	
Required Accessories			
K-7107	Decorative drain OR	<input type="checkbox"/> CP	<input type="checkbox"/> Other _____
K-7108	Decorative drain OR	<input type="checkbox"/> CP	<input type="checkbox"/> Other _____
K-7129	Grid drain	<input type="checkbox"/> CP	<input type="checkbox"/> Other _____

Product Specification

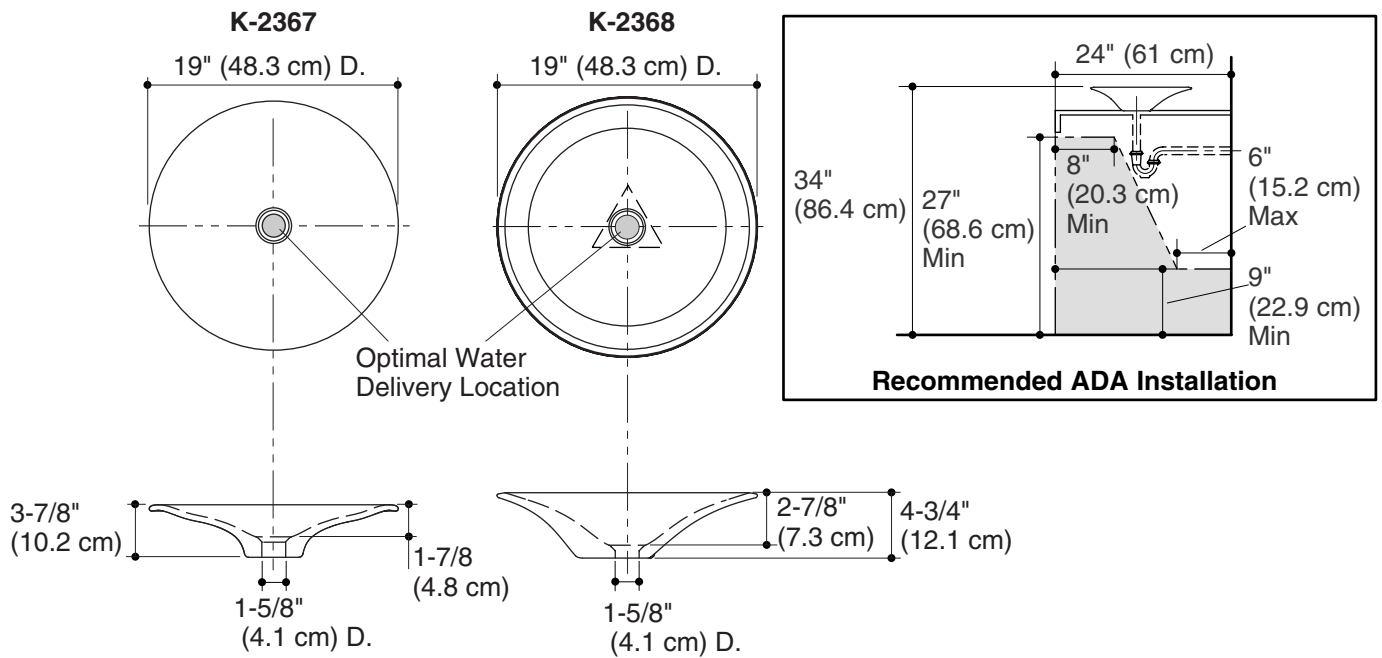
The vessels lavatory shall be made of glass. Lavatory shall be 19" (48.3 cm) in diameter. Lavatory shall be for above-the-counter installation. Lavatory shall be without overflow. Lavatory shall be ADA compliant when distance from rim to floor is 34" (86.4 cm). Lavatory shall be Kohler Model K-____-____.

Technical Information

Fixture*:		
Lavatory	K-2367	K-2368
Basin area	18-7-8" (47.9 cm) D.	18" (45.7 cm) D.
Water depth	1-13/16" (4.6 cm)	2-7/8" (7.3 cm)
Drain hole	1-5/8" (4.1 cm) D.	1-5/8" (4.1 cm) D.
* Approximate measurements for comparison only.		
Included components:		
Drain gasket kit	1070246	

Installation Notes

Install this product according to the installation guide.
Product does not have an overflow.



Product Diagram