

### COUNTERTOP LAVATORY K-2351

ADA

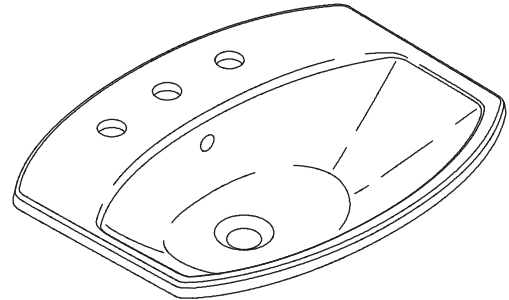
#### Features

- Self-rimming
- Vitreous china
- 8" (20.3 cm) centers (-8), 4" (10.2 cm) centers (-4), or single-hole (-1)
- With overflow
- 23" (58.4 cm) x 18-3/16" (46.2 cm) x 7-7/8" (20 cm)

#### Codes/Standards Applicable

Specified model meets or exceeds the following:

- ASME A112.19.2
- IAPMO/UPC
- CSA B45
- ADA



#### Colors/Finishes

- 0: White
- Other: Refer to Price Book for additional colors/finishes

#### Accessories:

- NA: None applicable

#### Specified Model

Model	Description	Colors/Finishes	
K-2351-8	8" (20.3 cm) center lavatory	<input type="checkbox"/> 0 White	<input type="checkbox"/> Other _____
K-2351-4	4" (10.2 cm) center lavatory	<input type="checkbox"/> 0 White	<input type="checkbox"/> Other _____
K-2351-1	Single hole lavatory	<input type="checkbox"/> 0 White	<input type="checkbox"/> Other _____

#### Product Specification

The self-rimming lavatory shall be 23" (58.4 cm) in length and 18-3/16" (46.2 cm) in width. Lavatory shall be made of vitreous china. Lavatory shall have 8" (20.3 cm) or 4" (10.2 cm) centers drilling or single hole drilling. Lavatory shall be with overflow. Lavatory shall be Kohler Model K-2351-\_\_\_\_\_-\_\_\_\_\_.

# CIMARRON™

## Technical Information

Fixture:*	basin area	water depth
Lavatory	20-3/8" (51.8 cm) x 11-1/2" (29.2 cm)	3-5/8" (9.2 cm)
* Approximate measurements for comparison only.		
Lavatory is ADA compliant.		<b>ADA</b>

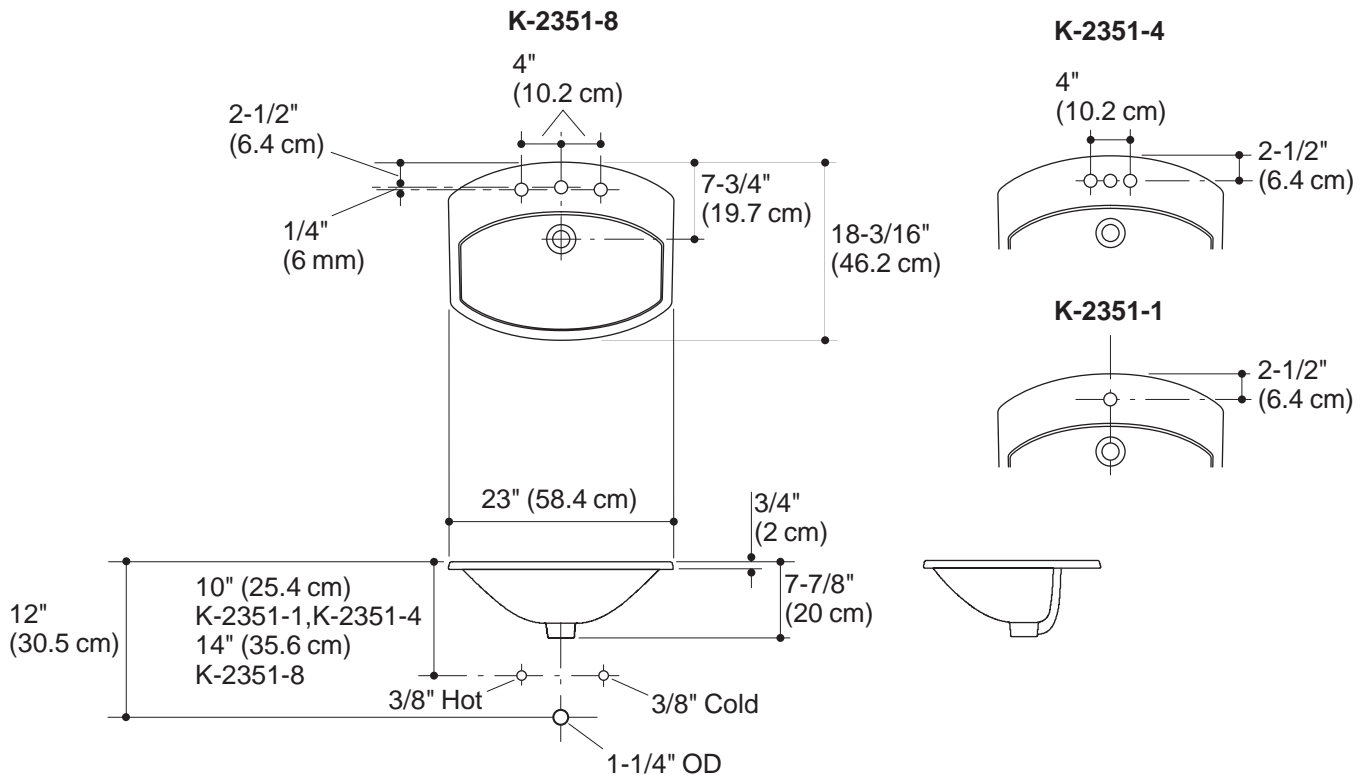
Holes	K-2351-8	K-2351-4	K-2351-1
Spout	1-3/8" (3.5 cm) D.	1-1/4" (3.2 cm) D.	1-3/8" (3.5 cm) D.
Faucet	1-3/8" (3.5 cm) D.	1-1/4" (3.2 cm) D.	
Drain	1-3/4" (4.4 cm) D.	1-3/4" (4.4 cm) D.	1-3/4" (4.4 cm) D.
Outlet	1-1/4" (3.2 cm) D.	1-1/4" (3.2 cm) D.	1-1/4" (3.2 cm) D.

Included Components:	
Cutout template	1017302-7

## Installation Notes

Install this product according to the installation guide.

**NOTICE:** Countertop manufacturer or cutter **must** use the cutout template provided with the product, or a current one provided by Kohler Co. (call 1-800-4-KOHLER). Kohler Co. is not responsible for cutout errors when the incorrect cutout template is used.



## Product Diagram