

Features

- Vitreous china
- Undercounter
- Without overflow
- Includes basin clamp assembly
- Available with KOHLER Artist Editions designs
- 13-3/4" (34.9 cm) useable interior diameter
- 14" (35.6 cm) diameter

UNDERCOUNTER LAVATORY

K-2349

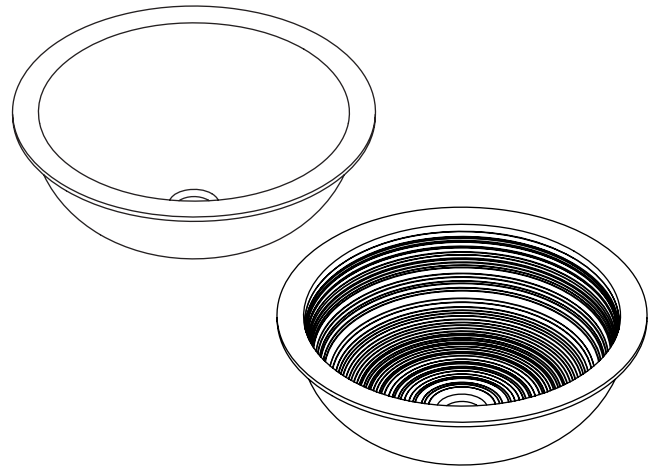
ALSO K-14026, K-14036, K-14287

ADA

Codes/Standards Applicable

Specified model meets or exceeds the following:

- ASME A112.19.2
- IAPMO/UPC
- CSA International
- ADA



Colors/Finishes

- 0: White
- BW: Black and White Pattern
- LP: Zanzibar™
- HA: Ipanema™

Accessories:

- CP: Polished Chrome
- Other: Refer to Price Book for additional colors/finishes

Specified Model

Model	Description	Colors/Finishes			
K-2349	Camber™ lavatory - less painted underside	<input type="checkbox"/> 0			<input type="checkbox"/> Other ____
K-14026	Camber™ Artist Editions lavatory - with painted underside		<input type="checkbox"/> BW	<input type="checkbox"/> LP	<input type="checkbox"/> HA
K-14036	Camber™ Artist Editions lavatory - less painted underside		<input type="checkbox"/> BW	<input type="checkbox"/> LP	<input type="checkbox"/> HA
K-14287-H6	Twirl™ design on Camber™ lavatory - less glazed underside	<input type="checkbox"/> 0			<input type="checkbox"/> Other ____
K-14287-H7	Twirl™ design on Camber™ lavatory - with Almond glazed underside	<input type="checkbox"/> 0			<input type="checkbox"/> Other ____

Optional Accessories			
K-9018	Adjustable P-trap	<input type="checkbox"/> CP	<input type="checkbox"/> Other ____
K-9035	Bottle trap	<input type="checkbox"/> CP	<input type="checkbox"/> Other ____

Product Specification

The undercounter vitreous china lavatory shall be 14" (35.6 cm) in diameter, with a 13-3/4" (34.9 cm) useable interior diameter. Lavatory shall be available with Artist Editions designs. Lavatory shall be without overflow. Lavatory shall include basin clamp assembly. Product shall be Kohler Model K-____-____ or K-____-____-____.

CAMBER™/TWIRL™

Technical Information

Fixture*:	
Basin area	13-3/4" (34.9 cm) D.
Water depth	5" (12.7 cm)
Drain hole	1-3/4" (3.2 cm) D.
* Approximate measurements for comparison only.	

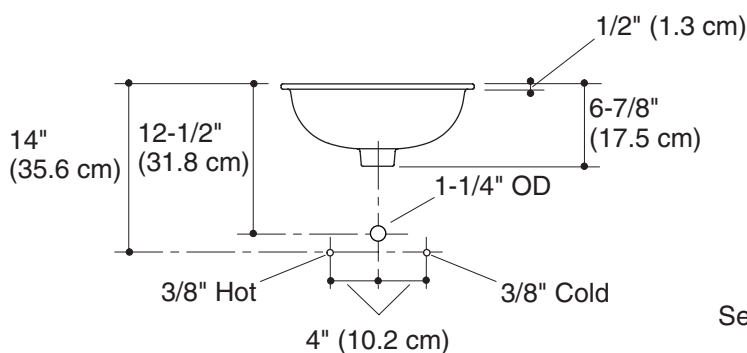
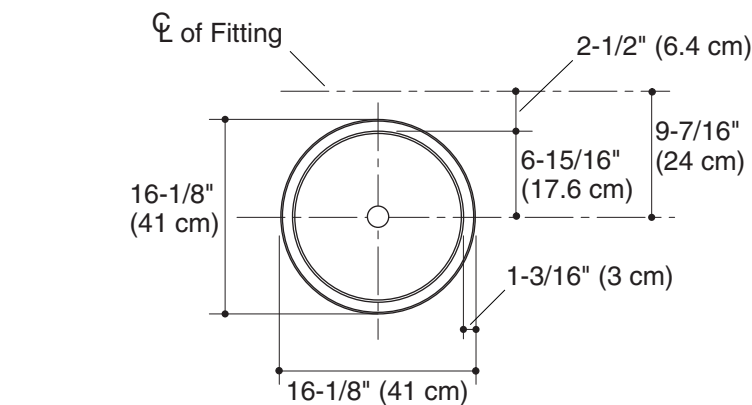
Included components:	
Basin clamp assembly	52047
Cut-out template	1035896-7

Installation Notes

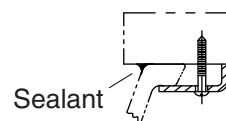
Install this product according to the installation guide.

Supplied basin clamp assemblies require 1" (2.5 cm) minimum countertop thickness. Installer must supply anchors for thinner countertops.

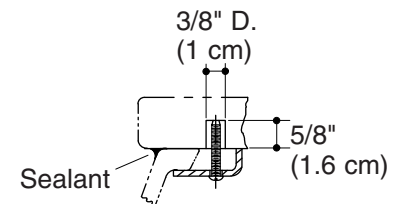
NOTICE: Countertop manufacturer or cutter must use the cut-out template provided with the product, or a current one provided by Kohler (call 1-800-4-KOHLER). Kohler is not responsible for cutout errors when incorrect cut-out template is used.



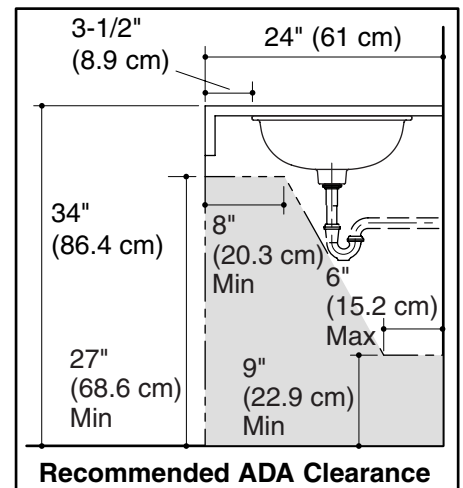
Standard Installation



Wood Installation



Marble Installation



Recommended ADA Clearance

Product Diagram